

STATE WHEN ORDERING

FW = mm
 FH = mm
 COW = mm
 COH = mm
 CL = mm

Surface treatment

Silver anodized
 Special anodized
 RAL
 Special powder coating

Options see layers:

Alternative F (concrete/brick)
 Alternative U (aluminium/steel)

Glass option see drw. 1009030

Glass code:

Installation

Floor heating
 Other

Customer:

Ref:

Door id:

Date:

Project No:

Sign:

Automatic door system
 ASSA ABLOY Slim Eco LDE 2 Panel wall mounted bipart
 Art. No. 1009393-2PB-15
 ASSA ABLOY SL500

ASSA ABLOY

6.0

1009393-EI

STATE WHEN ORDERING

FW = mm
 FH = mm
 X = mm
 COW = mm
 COH = mm
 CL = mm

Surface treatment

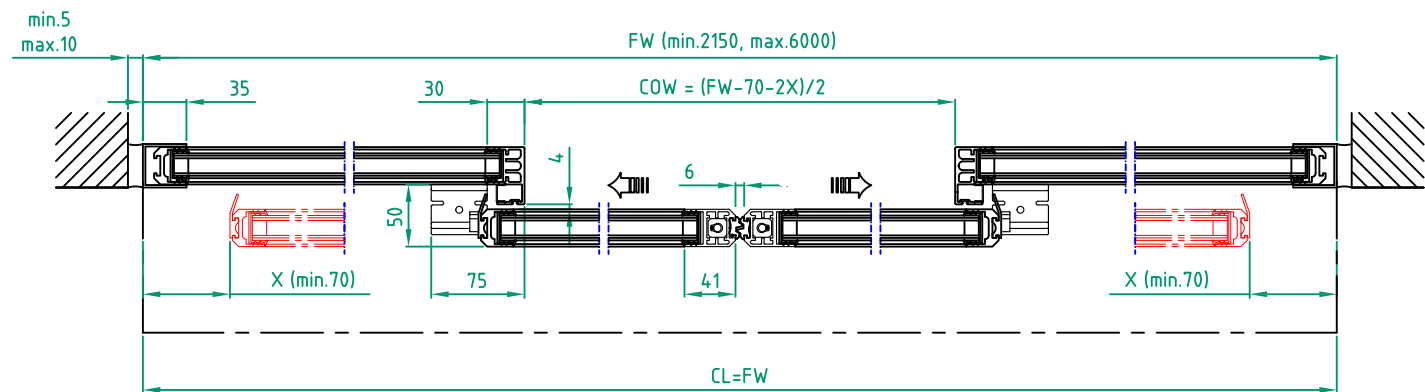
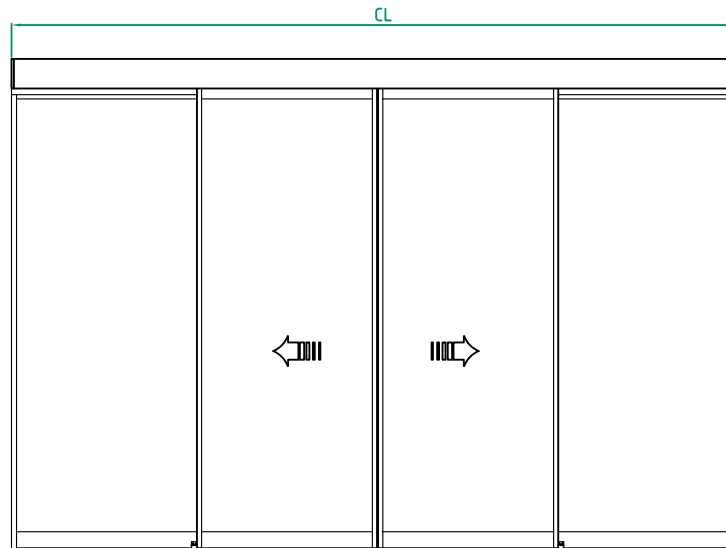
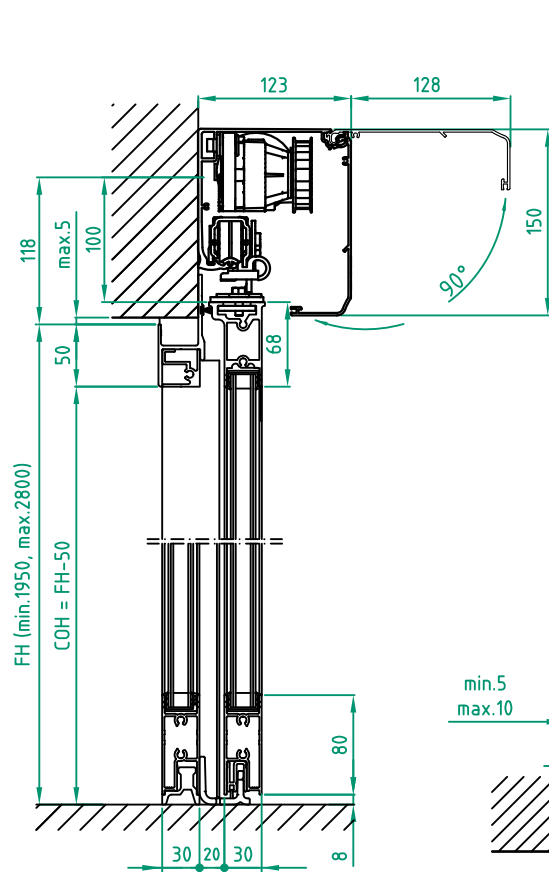
Silver anodized
 Special anodized
 RAL
 Special powder coating

Glass option see drw. 1009030

Glass code:

Installation

Floor heating
 Other

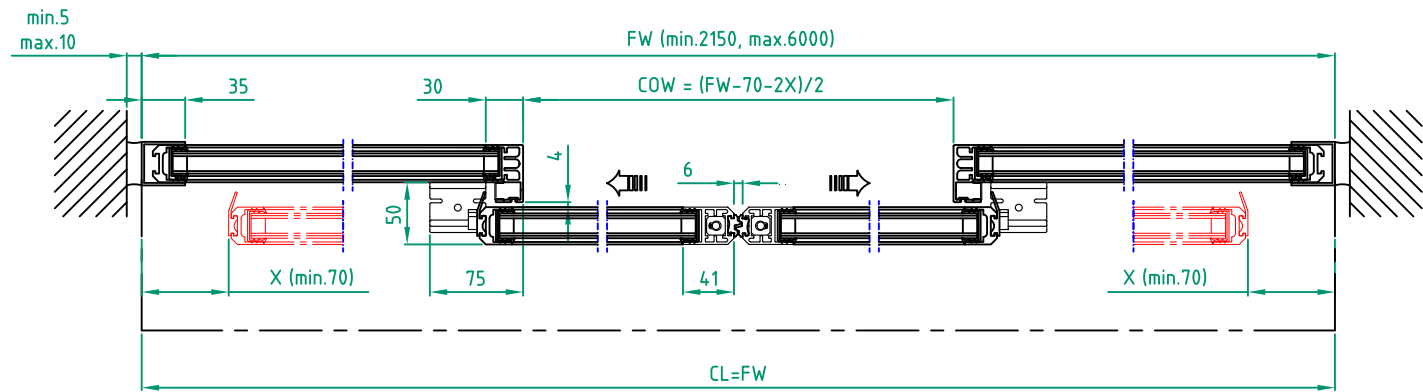
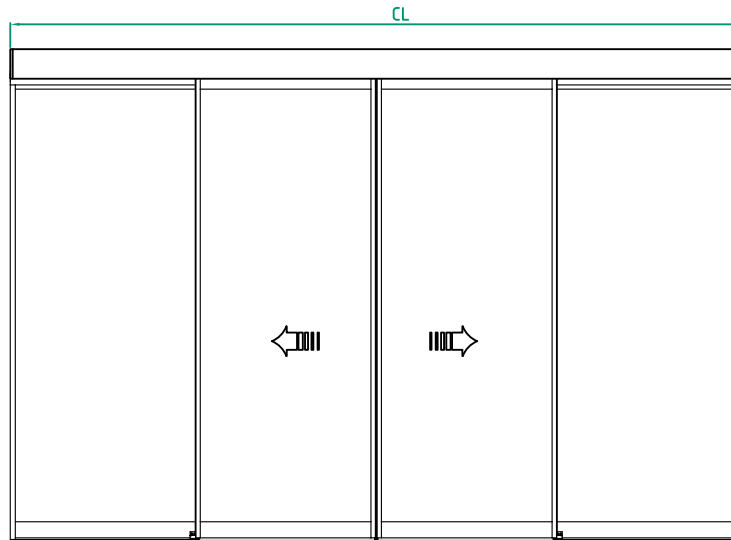
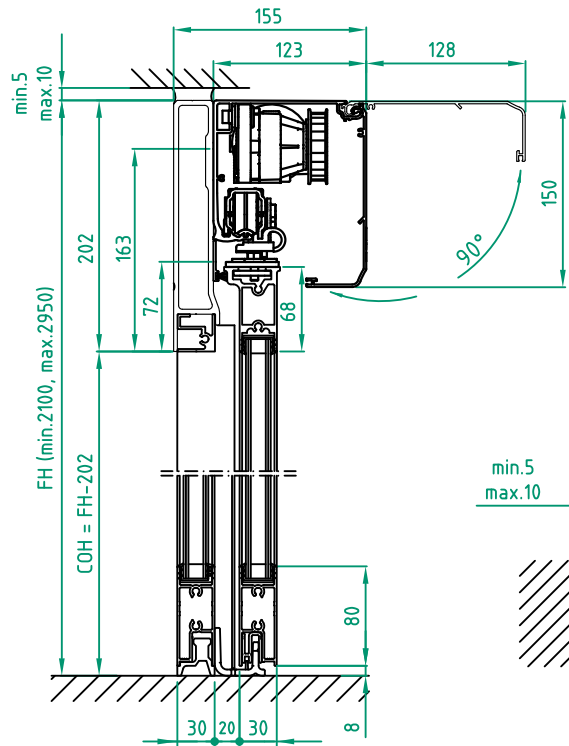


Customer: _____
 Door id: _____
 Project No: _____

Ref: _____
 Date: _____
 Sign: _____

Automatic door system
 ASSA ABLOY Slim Eco LDE 4 Panel wall mounted
 Art. No. 1009393-4PB-15
 ASSA ABLOY SL500

ASSA ABLOY
 6.0 1009393-EI



STATE WHEN ORDERING

- FW = mm
- FH = mm
- X = mm
- COW = mm
- COH = mm
- CL = mm

Surface treatment

- Silver anodized
- Special anodized
- RAL
- Special powder coating

Glass option see drw. 1009030

Glass code:

Installation

- Floor heating
- Other

Customer: _____

Door id: _____

Project No: _____

Ref: _____

Date: _____

Sign: _____

Automatic door system
 ASSA ABLOY Slim Eco LDE 4 Panel beam mounted
 Art. No. 1009393-4PB-15
 ASSA ABLOY SL500

ASSA ABLOY

6.0 1009393-EI