

RD3, RD4	-18	-21	-24	-27	-30	-33	-36
DF	1890	2190	2490	2790	3090	3390	3690
RW	940	1090	1240	1390	1540	1690	1840
Frame							
R11	906	1056	1206	1356	1506	1656	1806
RD3							
W1	300	330	380	430	480	530	580
W2	120	140	160	180	200	220	240
RD4							
W1	250	280	330	380	430	480	530
W2	170	190	210	230	250	270	290

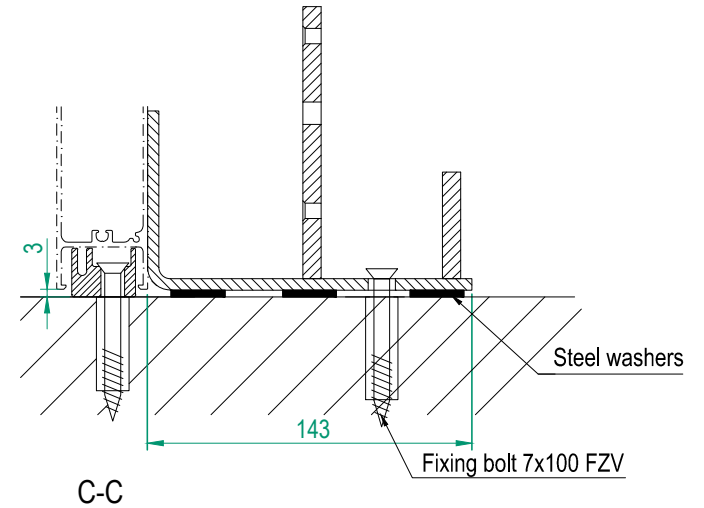
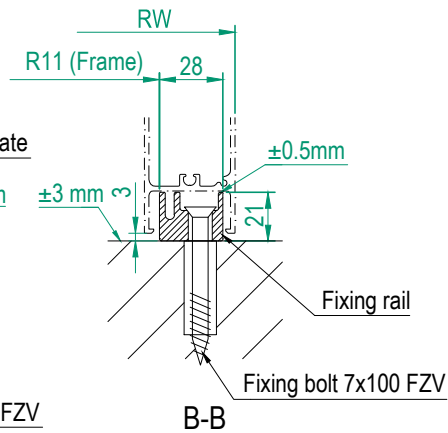
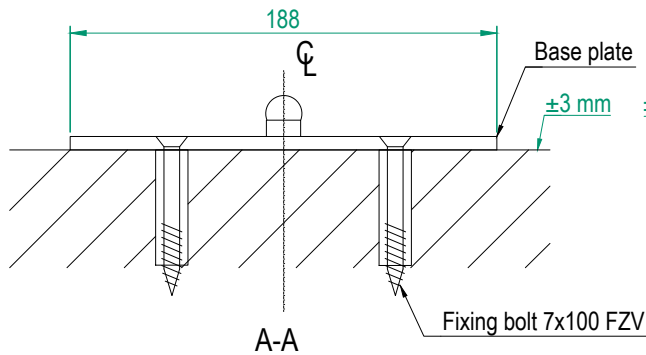
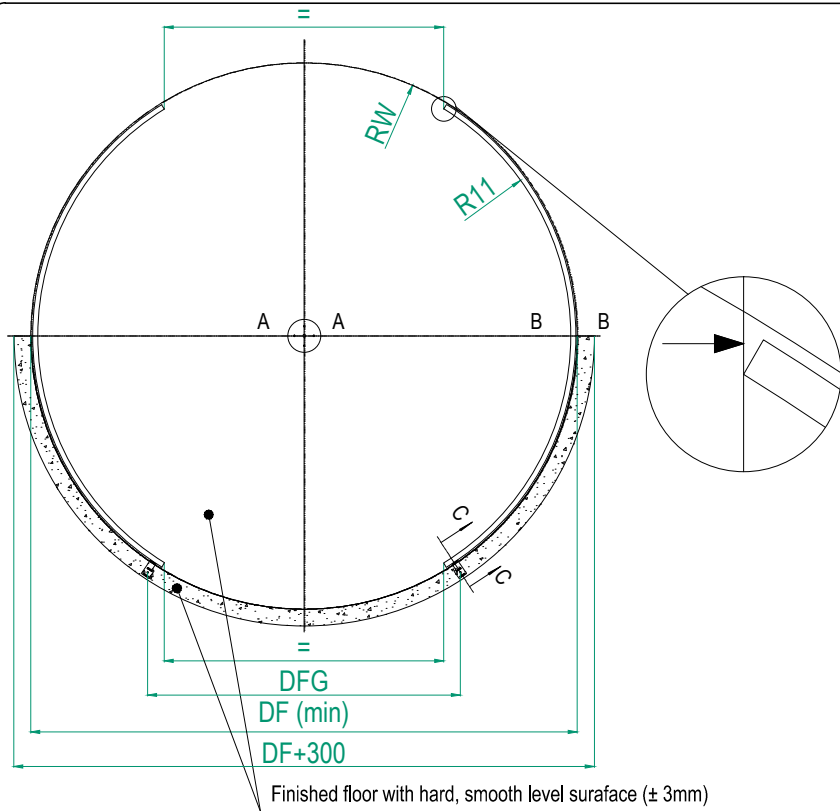
W1 = Weight (kg) distributed over the fixing rail
 W2 = Weight (kg) distributed over the base plate

Customer: _____
 Door id: _____
 Project No: _____

Ref: _____
 Date: _____
 Sign: _____

Revolving door
 ASSA ABLOY RD3 and ASSA ABLOY RD4-18/21/24/27/30/33/36
 Floor preparation

ASSA ABLOY
 3.0 1000944-EI



RD3, RD4	□-18	□-21	□-24	□-27	□-30	□-33	□-36
DF	1890	2190	2490	2790	3090	3390	3690
DF+300	2190	2490	2790	3090	3390	3690	3990
RW	940	1090	1240	1390	1540	1690	1840
R11	906	1056	1206	1356	1506	1656	1806
RD3							
DFG	1106	1252	1402	1551	1700	1853	2006
W1	300	330	380	430	480	530	580
W2	120	140	160	180	200	220	240
RD4							
DFG	1528	1734	1947	2156	2367	2585	2800
W1	250	280	330	380	430	480	530
W2	170	190	210	230	250	270	290

W1 = Weight (kg) distributed over the fixing rail
W2 = Weight (kg) distributed over the base plate

Customer:	Ref:
Door id:	Date:
Project No.:	Sign:

Ref:
Date:
Sign:

Revolving door
ASSA ABLOY RD3 and ASSA ABLOY RD4-18/21/24/27/30/33/36
Floor preparation RC3

ASSA ABLOY

3.0 1000944-EI

RD3	<input type="checkbox"/> -18	<input type="checkbox"/> -21	<input type="checkbox"/> -24	<input type="checkbox"/> -27	<input type="checkbox"/> -30
D	1800	2100	2400	2700	3000
TW	793	943	1093	1243	1393
DT	1888	2188	2488	2788	3088

STATE WHEN ORDERING

Internal height = mm
 Fascia height = mm

Surface treatment of outer walls and night closing doors

Stainless steel cladding
 Special anodized
 RAL
 Special powder coating

Surface treatment of Frame door leaves

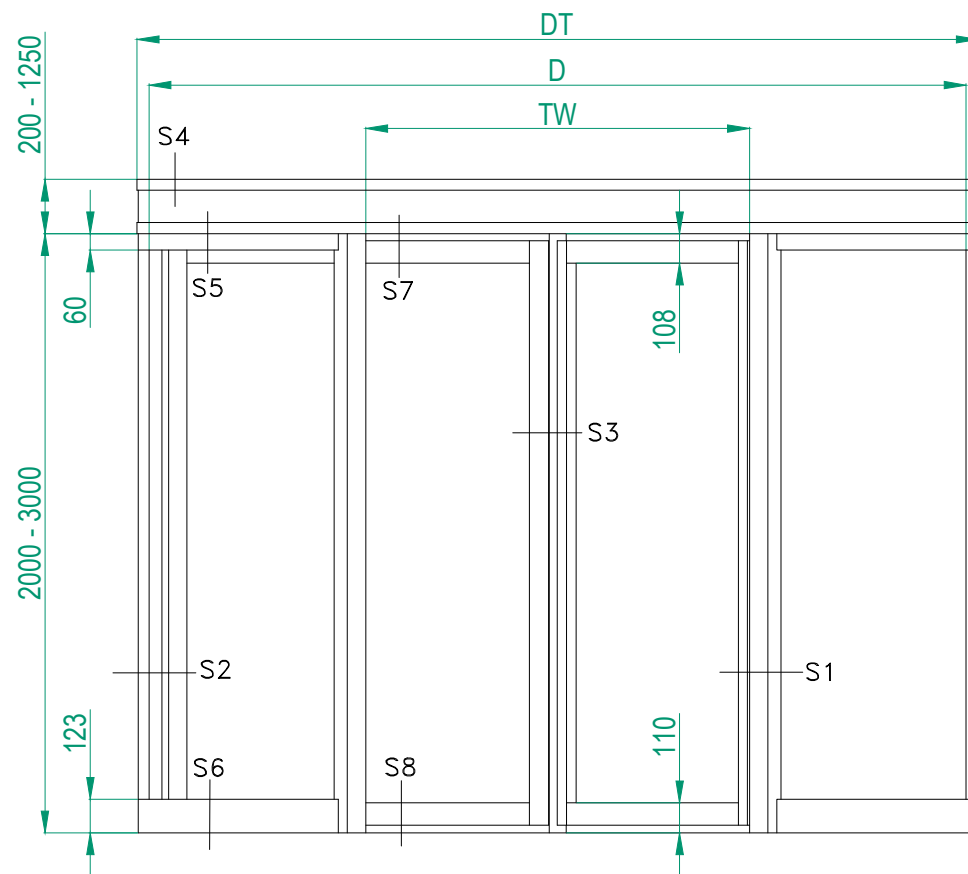
Stainless steel cladding
 Special anodized
 RAL
 Special powder coating

 Centre shaft will always be painted black

Surface treatment of Slim door leaves

Special anodized
 RAL
 Special powder coating

Note: RD4/NCD is in next layer



Customer:	Ref:
Door id:	Date:
Project No.:	Sign:

Revolving door
 ASSA ABLOY RD3-18/21/24/27/30 Frame
 Front view

ASSA ABLOY

3.0 1000944-EI

RD3	<input type="checkbox"/> -33	<input type="checkbox"/> -36
D	3300	3600
TW	1543	1693
DT	3388	3688

STATE WHEN ORDERING

Internal height = mm
 Fascia height = mm

Surface treatment of outer walls and night closing doors

Stainless steel cladding
 Special anodized
 RAL
 Special powder coating

Surface treatment of Frame door leaves

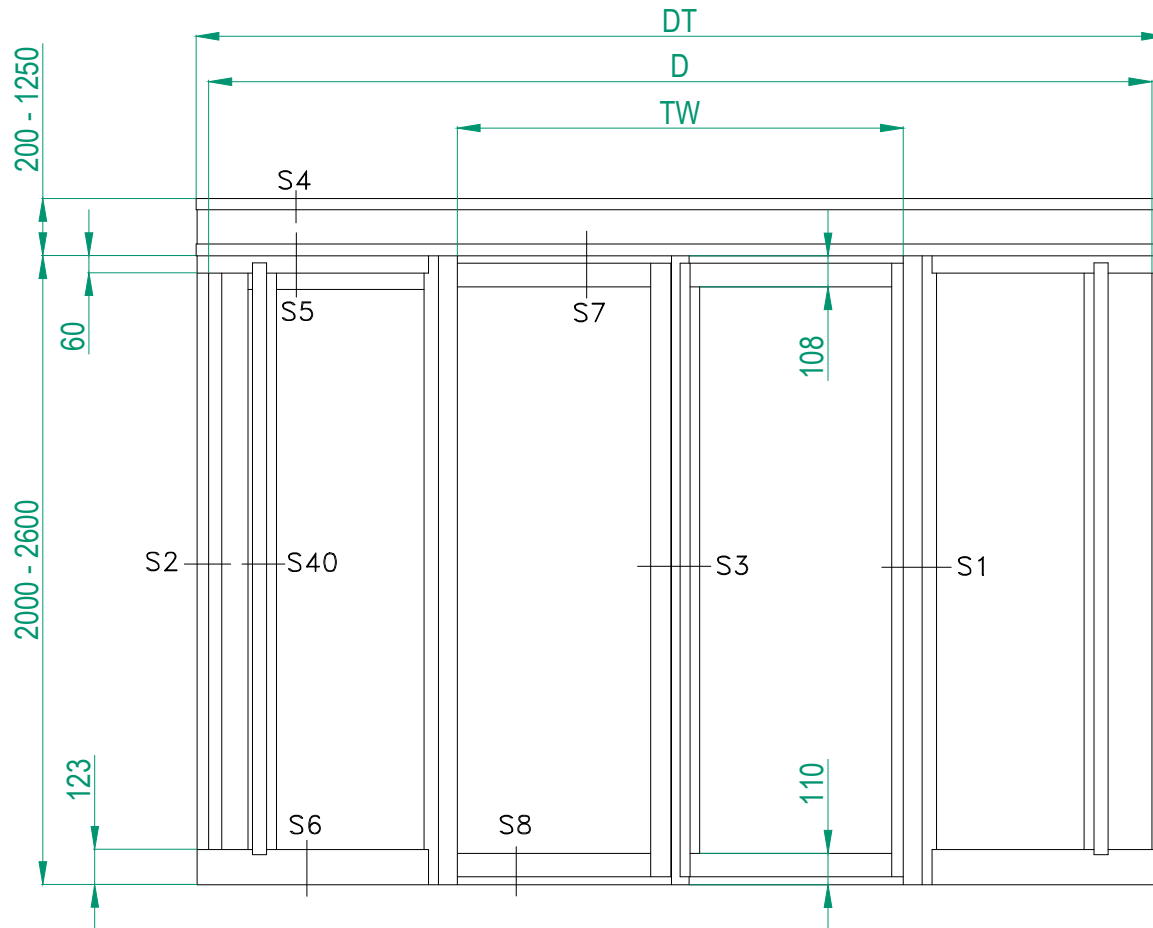
Stainless steel cladding
 Special anodized
 RAL
 Special powder coating

 Centre shaft will always be painted black

Surface treatment of Slim door leaves

Special anodized
 RAL
 Special powder coating

Note: RD4/NCD is in next layer



Customer:	Ref:
Door id:	Date:
Project No.:	Sign:

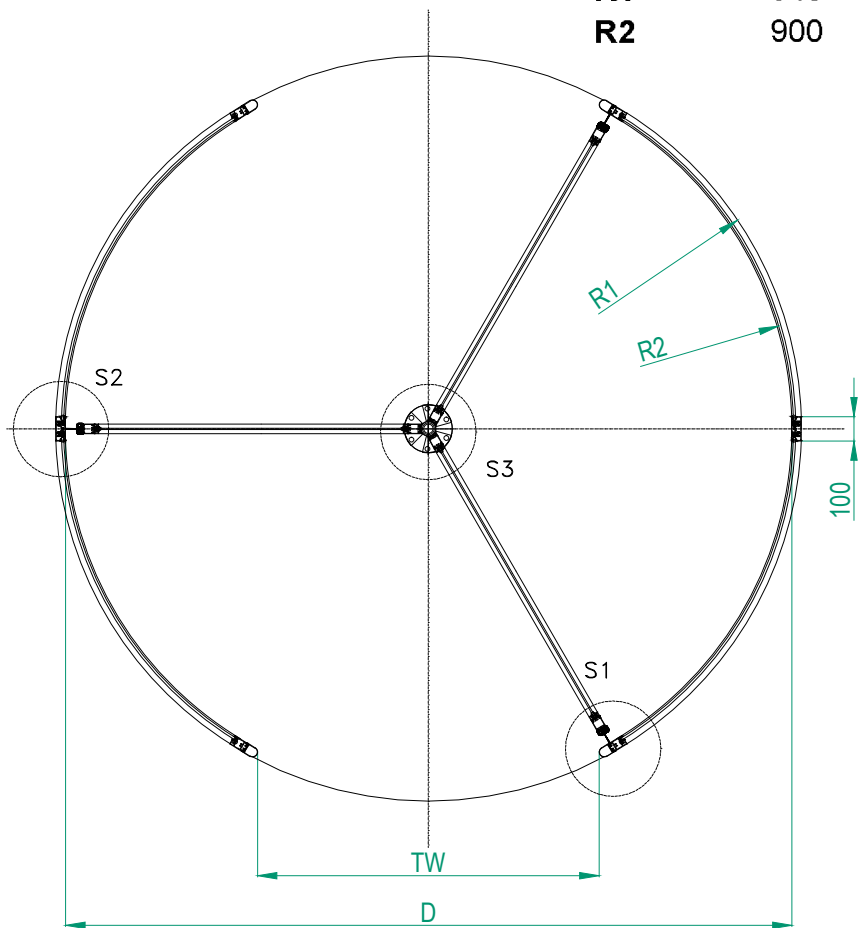
Ref:
Date:
Sign:

Revolving door
 ASSA ABLOY RD3-33/36 Frame
 Front view

ASSA ABLOY

3.0 1000944-EI

RD3	□-18	□-21	□-24	□-27	□-30
D	1800	2100	2400	2700	3000
TW	793	943	1093	1243	1393
R1	940	1090	1240	1390	1540
R2	900	1050	1200	1350	1500



Note: RD4/NCD is in next layer

Customer:

Ref:

Door id:

Date:

Project No.:

Sign:

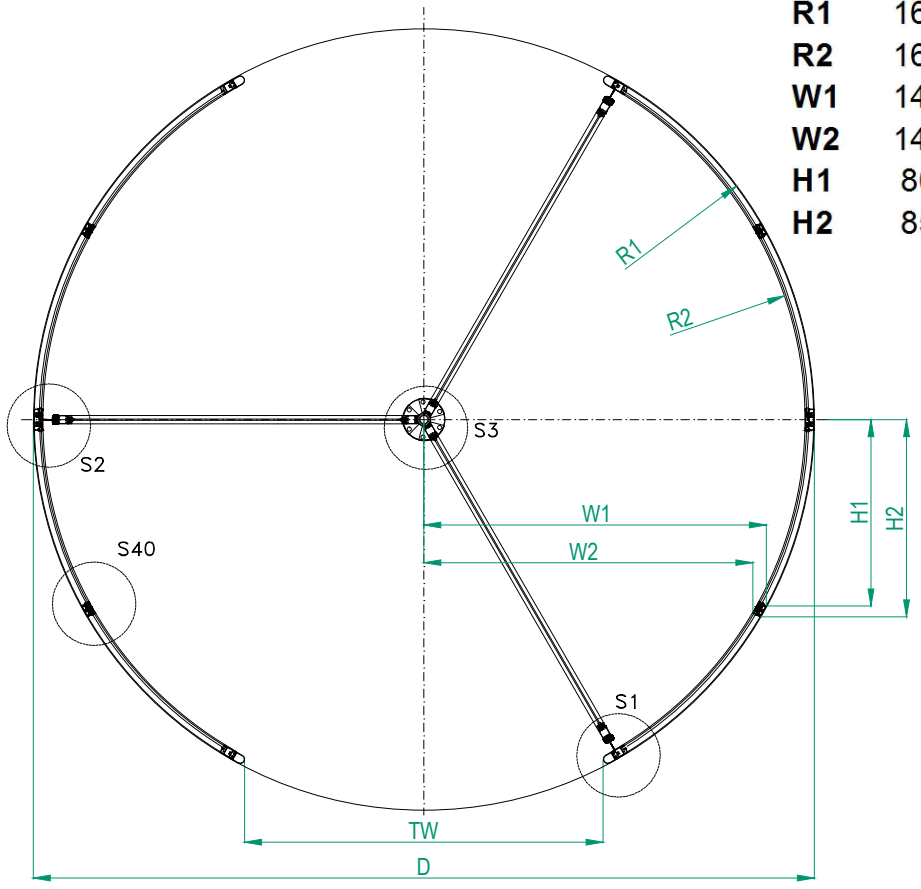
Revolving door
ASSA ABLOY RD3-18/21/24/27/30 Frame
Top view

ASSA ABLOY

3.0

1000944-EI

RD3	<input type="checkbox"/> -33	<input type="checkbox"/> -36
D	3300	3600
TW	1543	1693
R1	1690	1840
R2	1650	1800
W1	1487	1617
W2	1423	1553
H1	804	879
H2	856	931



Note: RD4/NCD is in next layer

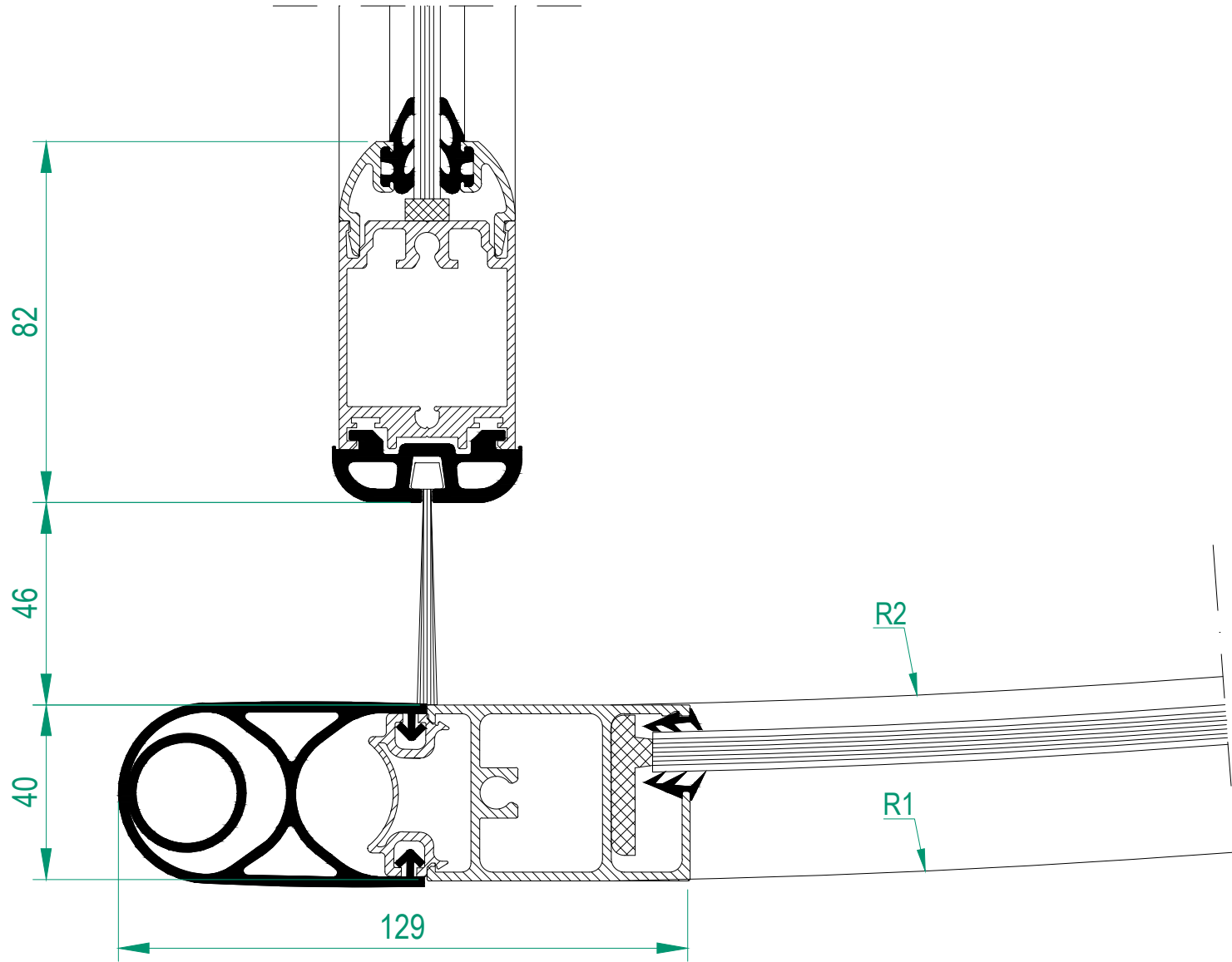
© ASSA ABLOY Entrance Systems AB, 2017
 Technical data subject to change without notice.

Customer:	Ref:
Door id:	Date:
Project No.:	Sign:

Revolving door
 ASSA ABLOY RD3-33/36 Frame
 Top view

ASSA ABLOY

3.0 1000944-EI



Customer:

Ref:

Door id:

Date:

Project No.:

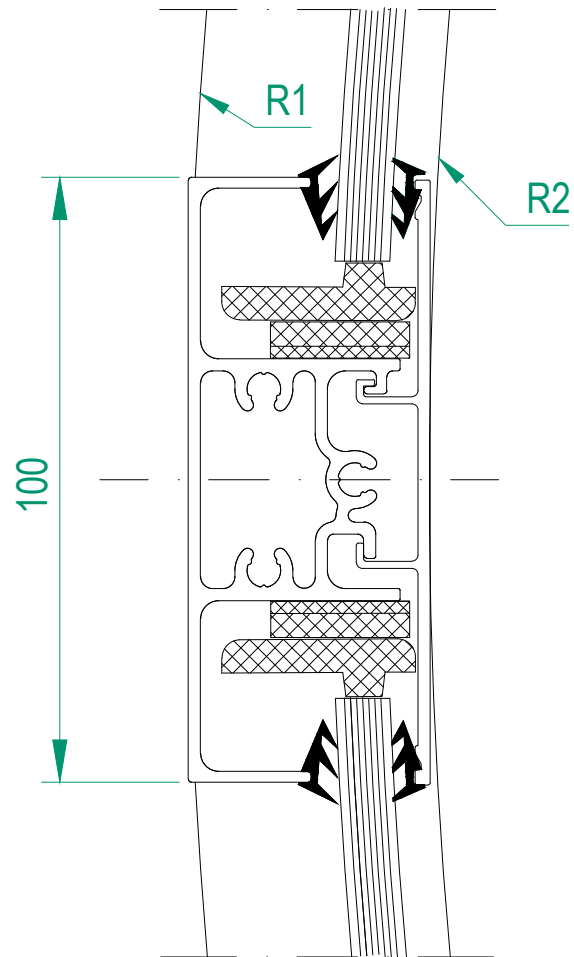
Sign:

Revolving door
ASSA ABLOY RD3 and ASSA ABLOY RD4 Frame
Section Door - wall
Section 1

ASSA ABLOY

3.0

1000944-EI



Customer:

Ref:

Door id:

Date:

Project No.:

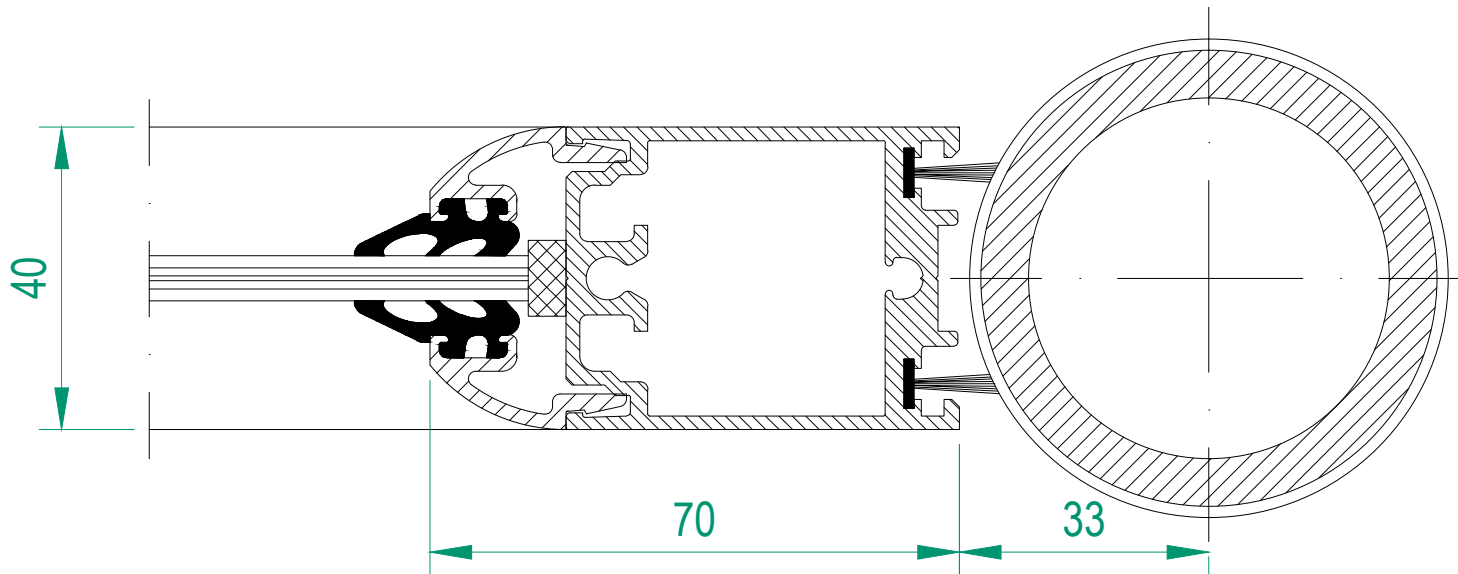
Sign:

Revolving door
ASSA ABLOY RD3 and ASSA ABLOY RD4 Frame
Section wall mullion
Section 2

ASSA ABLOY

3.0

1000944-EI



Customer:

Ref:

Door id:

Date:

Project No:

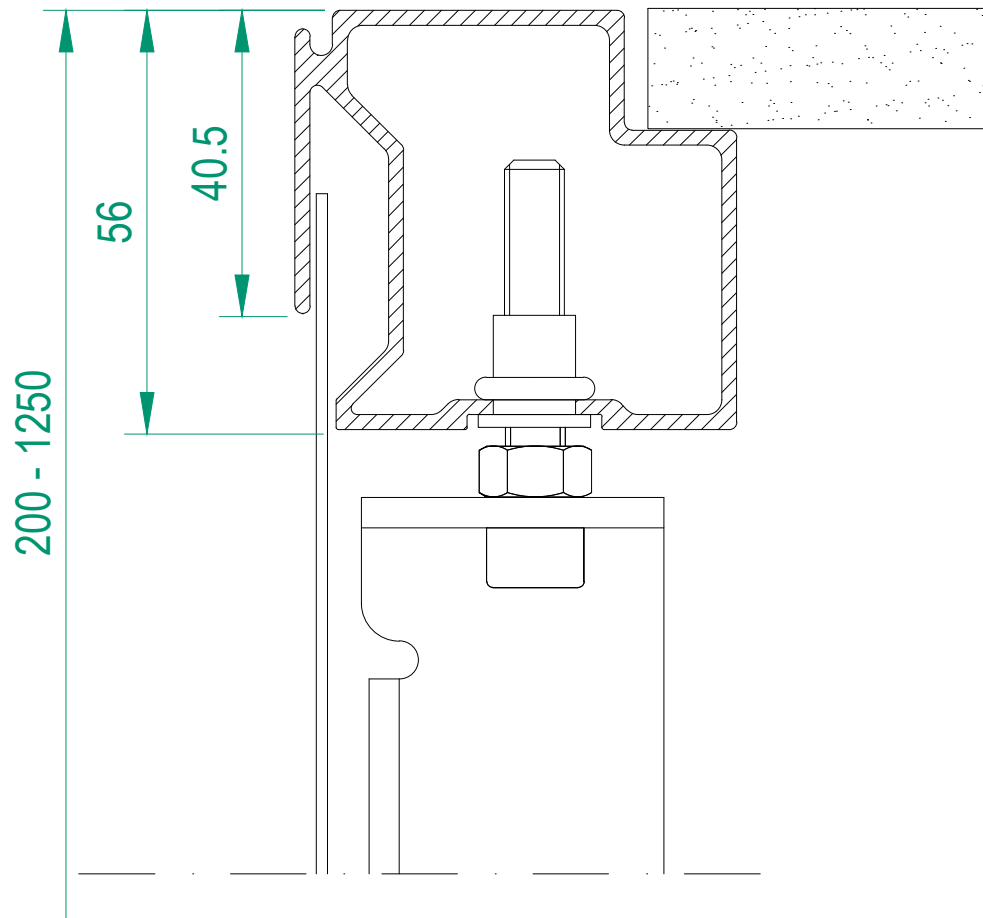
Sign:

Revolving door
ASSA ABLOY RD3 and ASSA ABLOY RD4 Frame
Section center shaft - door
Section 3

ASSA ABLOY

3.0

1000944-EI



Customer:

Ref:

Door id:

Date:

Project No.:

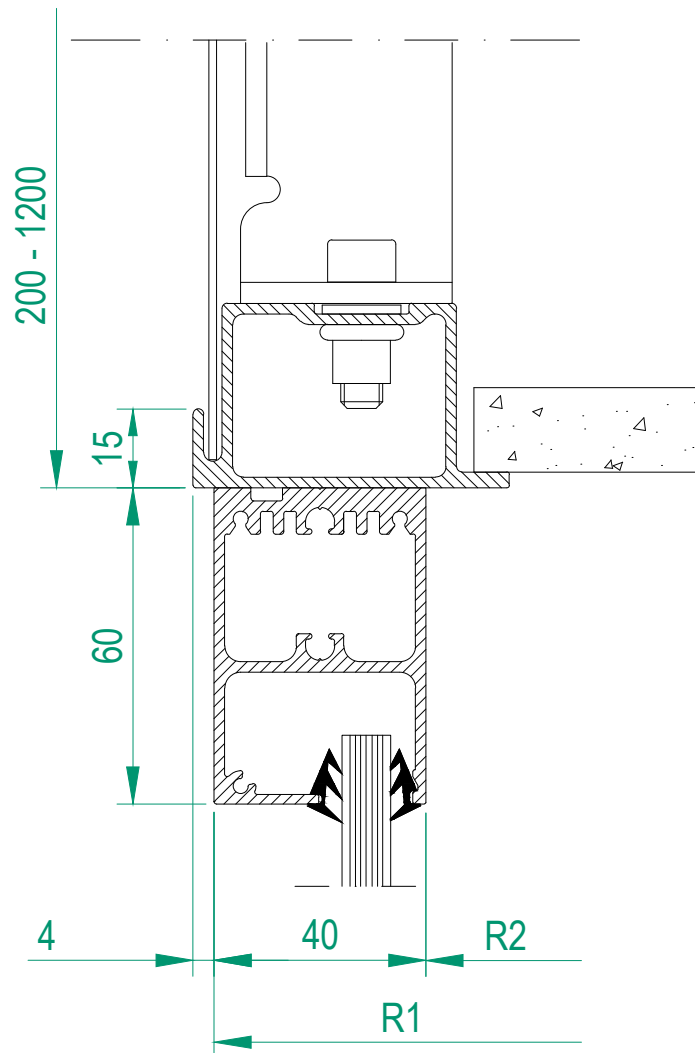
Sign:

Revolving door
ASSA ABLOY RD3 and ASSA ABLOY RD4 Frame
Section top of fascia
Section 4



3.0

1000944-EI



Customer:

Ref:

Door id:

Date:

Project No.:

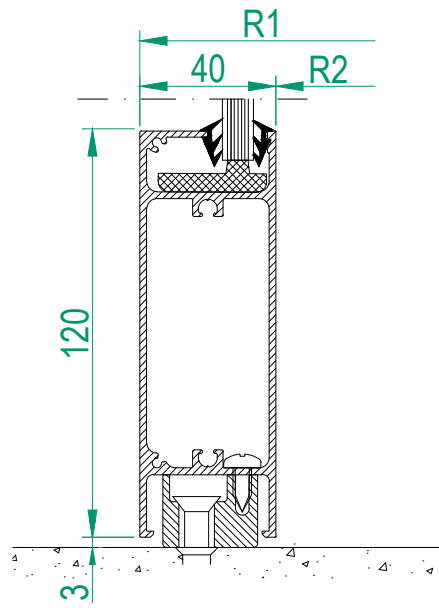
Sign:

Revolving door
ASSA ABLOY RD3 and ASSA ABLOY RD4 Frame
Section outer wall - fascia
Section 5

ASSA ABLOY

3.0

1000944-EI



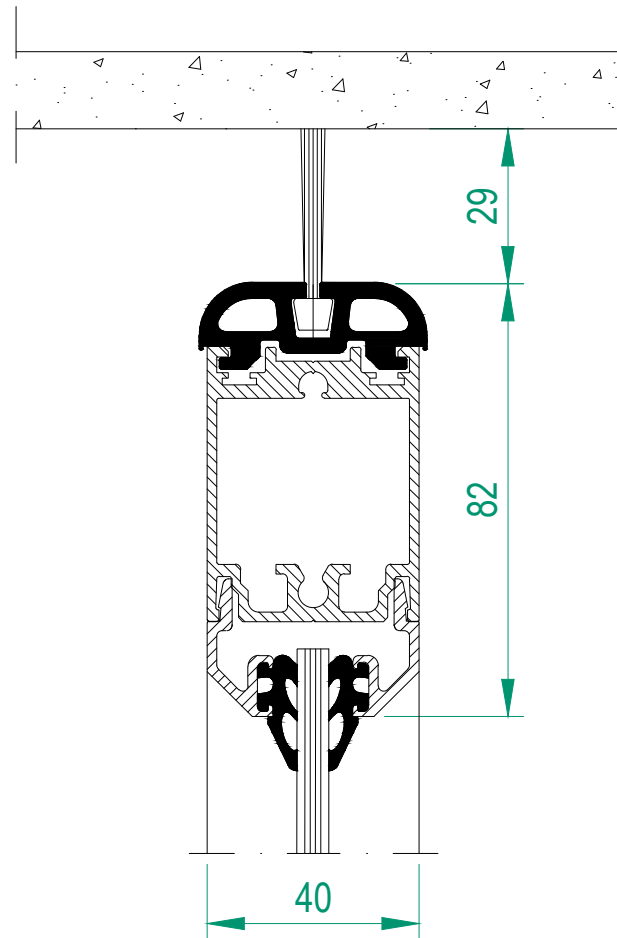
Customer:
Door id:
Project No:

Ref:
Date:
Sign:

Revolving door
ASSA ABLOY RD3 and ASSA ABLOY RD4 Frame
Section bottom - outer wall
Section 6

ASSA ABLOY

3.0 1000944-EI



Customer:

Ref:

Door id:

Date:

Project No.:

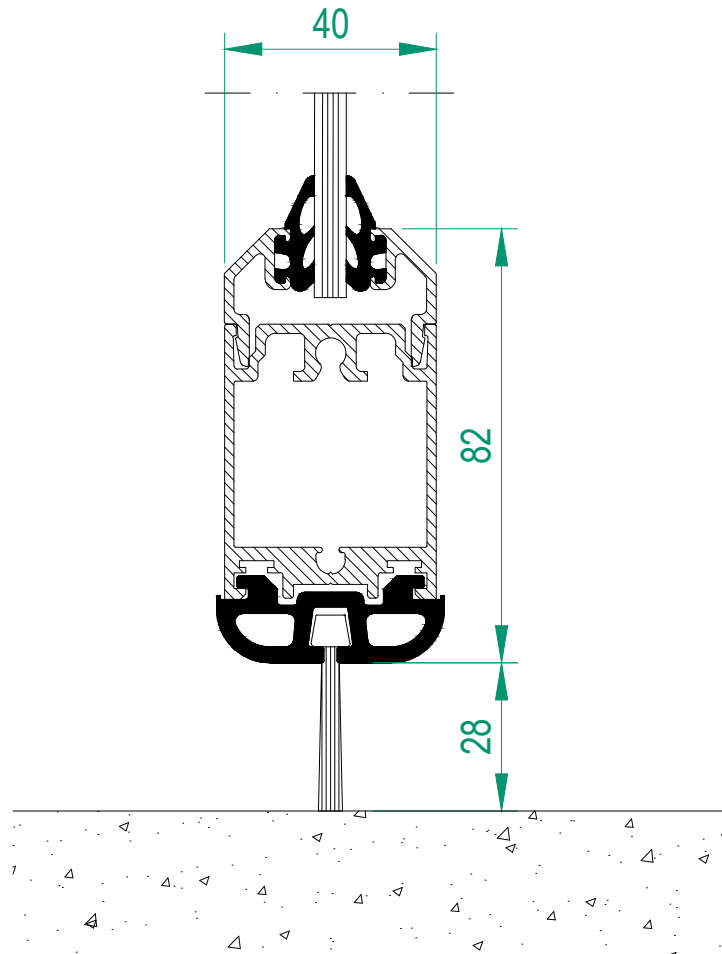
Sign:

Revolving door
ASSA ABLOY RD3 and ASSA ABLOY RD4 Frame
Section ceiling - door
Section 7

ASSA ABLOY

3.0

1000944-EI



Customer:

Ref:

Door id:

Date:

Project No.:

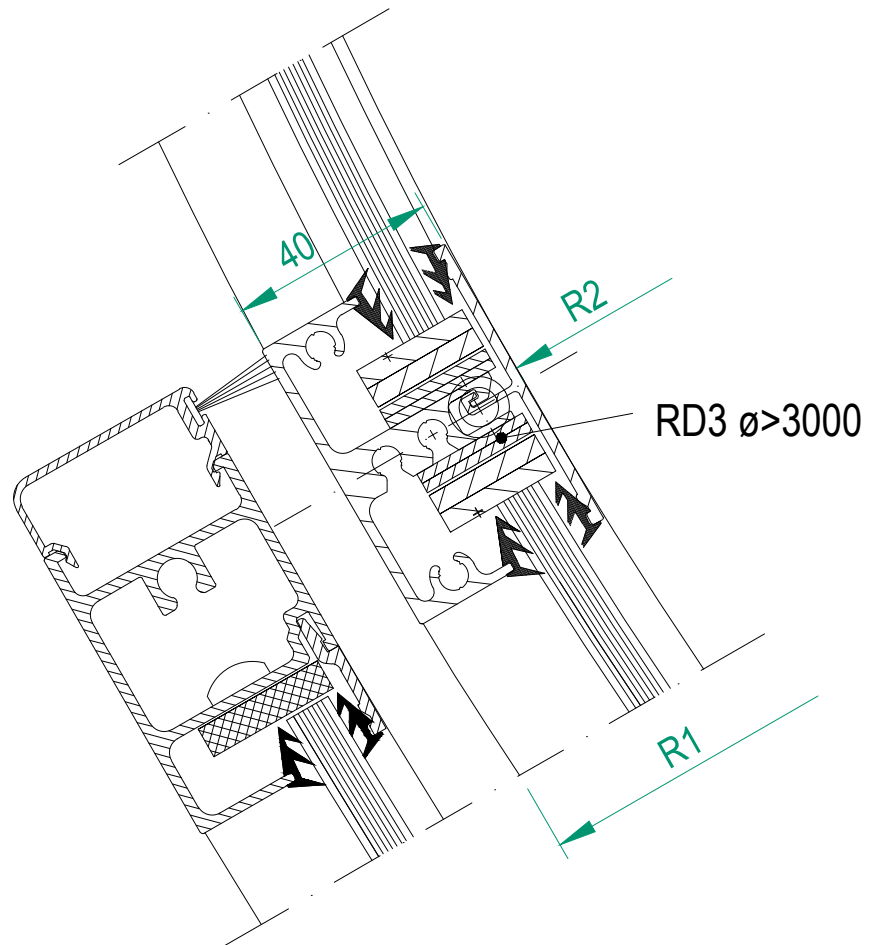
Sign:

Revolving door
ASSA ABLOY RD3 and ASSA ABLOY RD4 Frame
Section Floor - door
Section 8

ASSA ABLOY

3.0

1000944-EI



Customer:

Ref:

Door id:

Date:

Project No.:

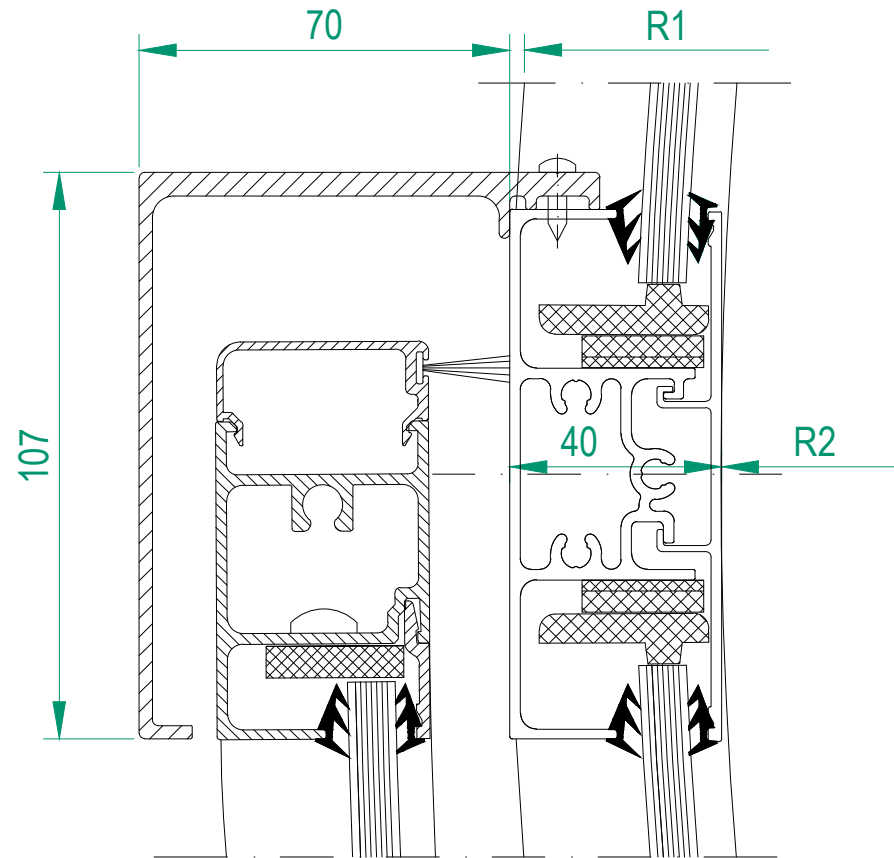
Sign:

Revolving door
ASSA ABLOY RD3 Frame NCD
Section NCD - mullion
Section 9

ASSA ABLOY

3.0

1000944-EI



Customer:

Ref:

Door id:

Date:

Project No.:

Sign:

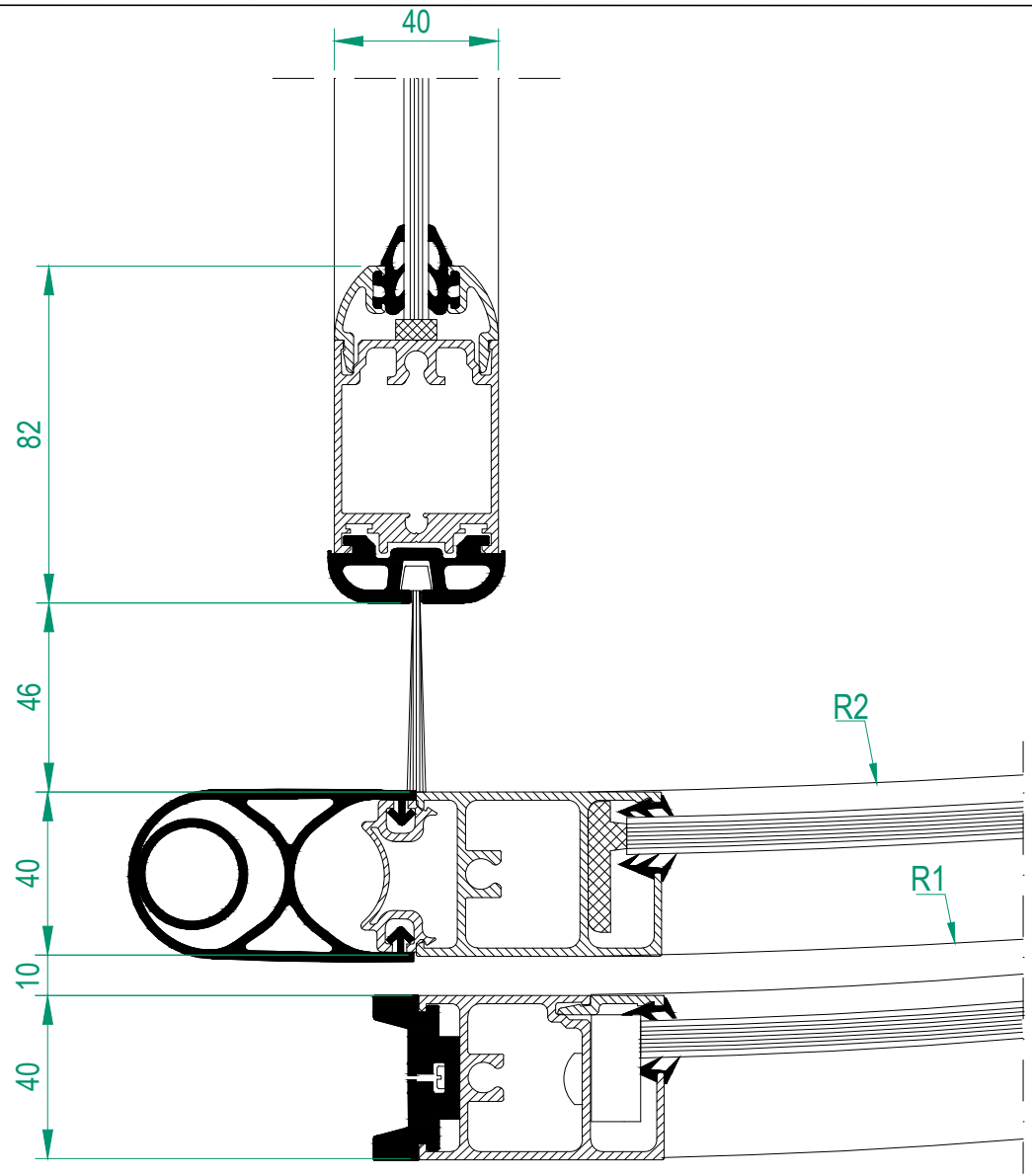
Revolving door
ASSA ABLOY RD4 Frame NCD
Section NCD slam post
Section 10

ASSA ABLOY

3.0

1000944-EI

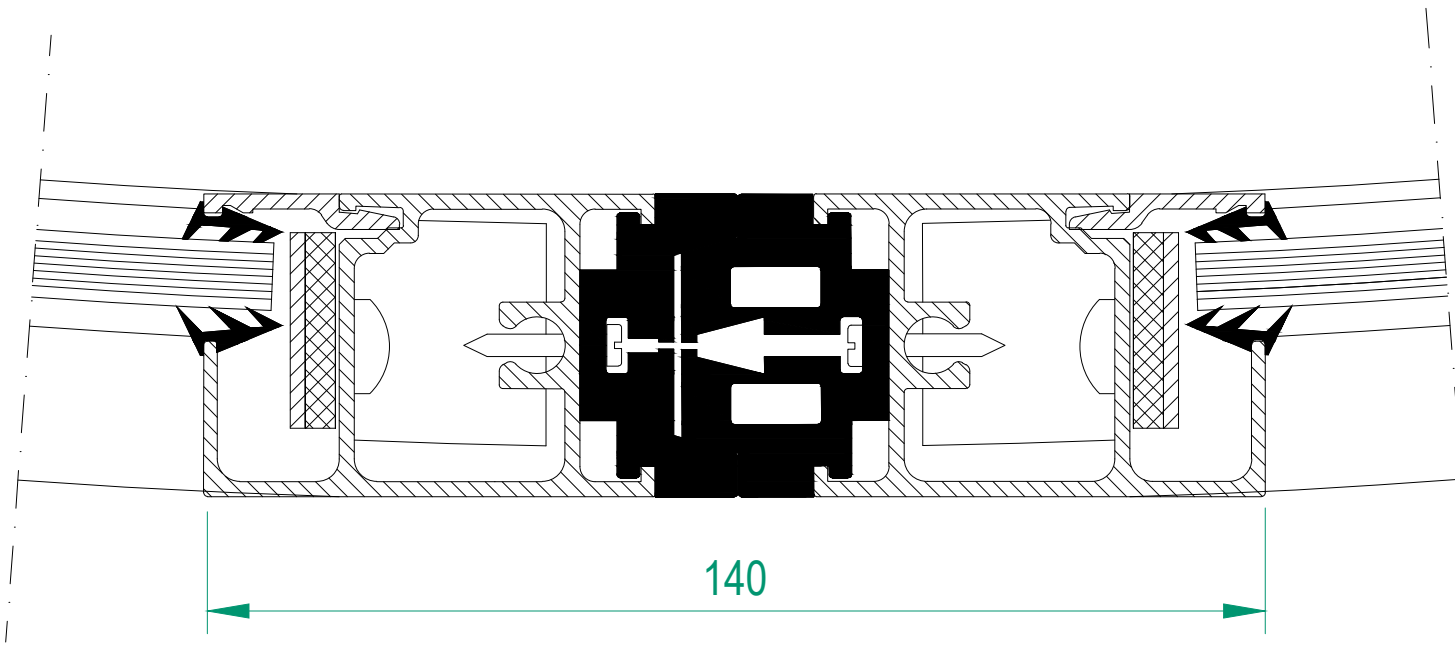
© ASSA ABLOY Entrance Systems AB, 2017
Technical data subject to change without notice.



Customer:	Ref:
Door id:	Date:
Project No.:	Sign:

Revolving door
ASSA ABLOY RD3 and ASSA ABLOY RD4 Frame NCD
Section Door - wall
Section 11

ASSA ABLOY
3.0 1000944-EI



140

Customer:

Ref:

Door id:

Date:

Project No:

Sign:

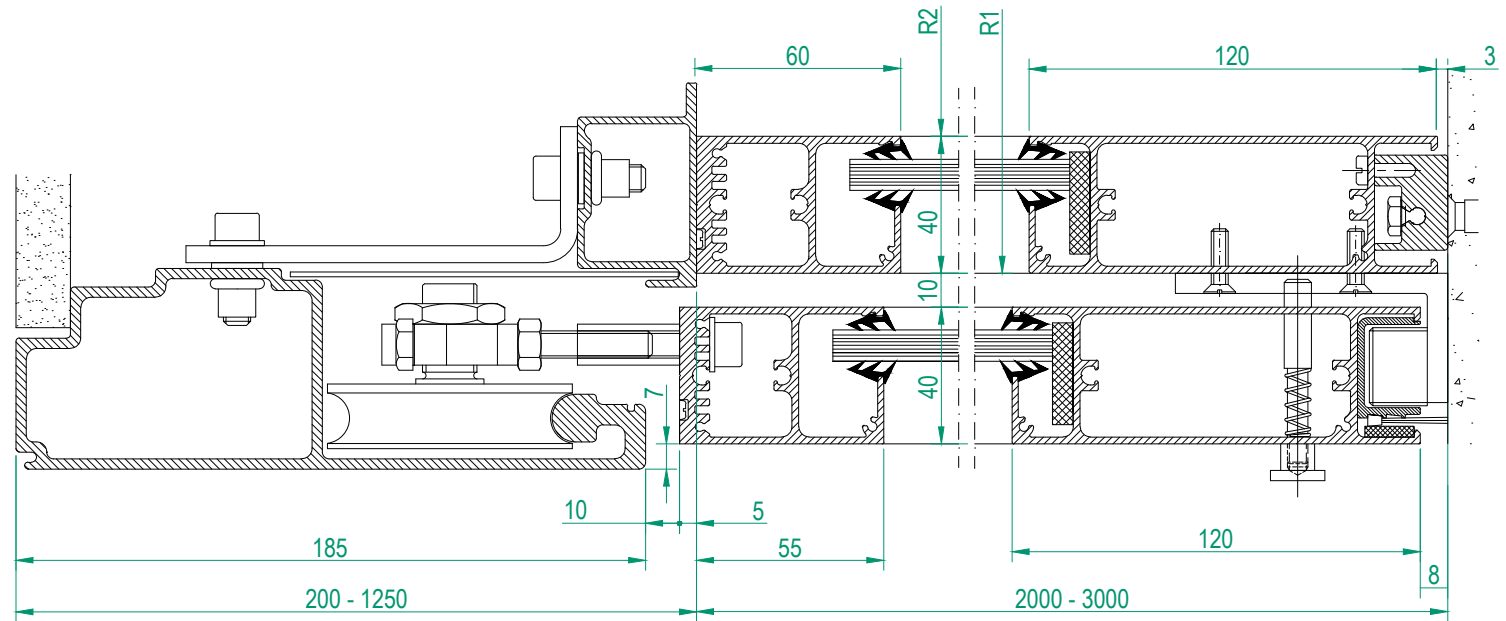
Revolving door
ASSA ABLOY RD3 and ASSA ABLOY RD4 Frame NCD
Section NCD - NCD
Section 12

ASSA ABLOY

3.0

1000944-EI

© ASSA ABLOY Entrance Systems AB, 2017
Technical data subject to change without notice.

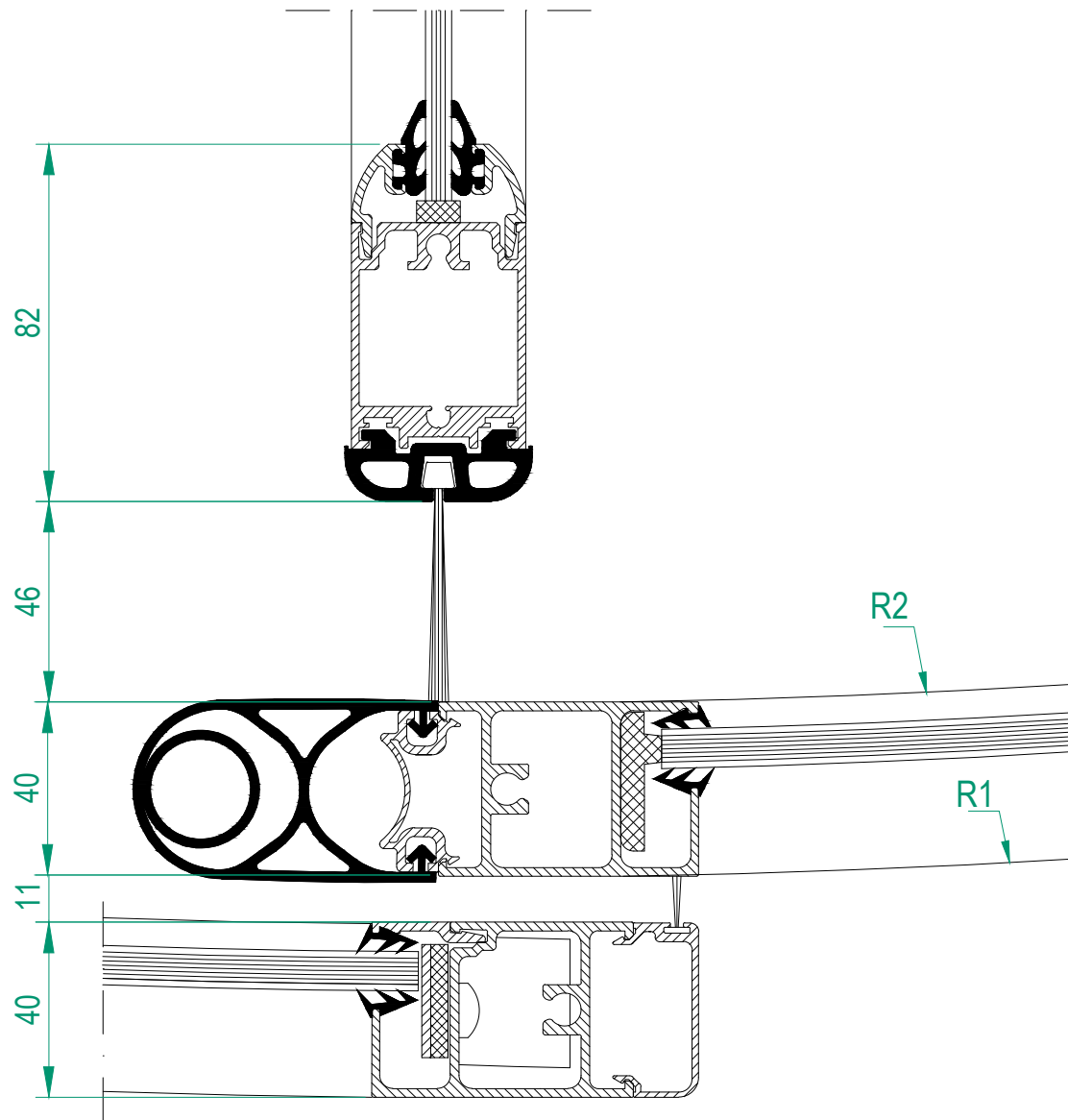


Customer:
Door id:
Project No:

Ref:
Date:
Sign:

Revolving door
ASSA ABLOY RD3 and ASSA ABLOY RD4 Frame NCD
Section NCD Standard fascia
Section 13

ASSA ABLOY
3.0 1000944-EI



Customer:

Ref:

Door id:

Date:

Project No:

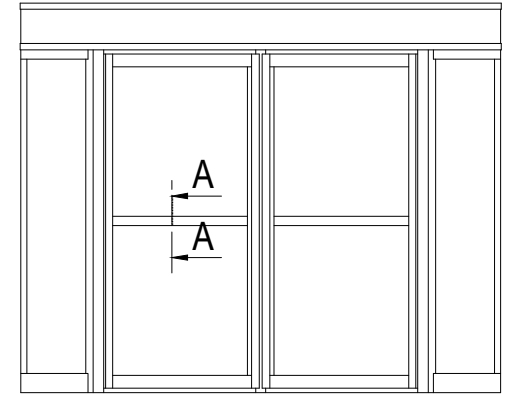
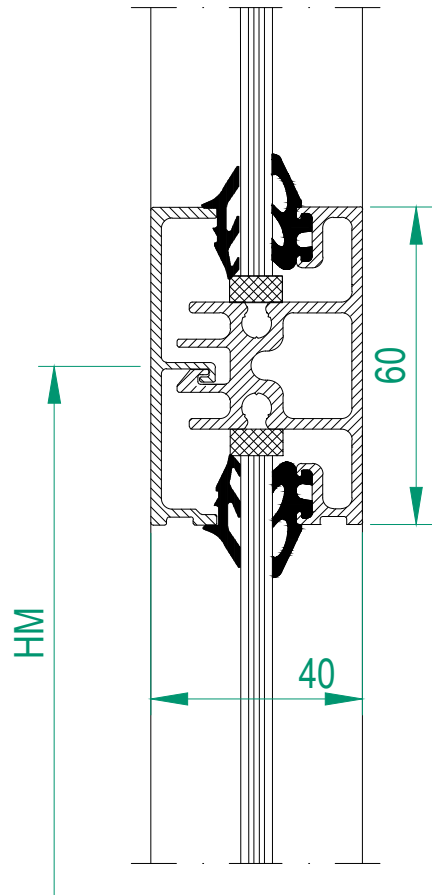
Sign:

Revolving door
ASSA ABLOY RD3 and ASSA ABLOY RD4
Frame NCD
Section Door - wall
Section 14

ASSA ABLOY

3.0

1000944-EI



Customer:

Ref:

Door id:

Date:

Project No:

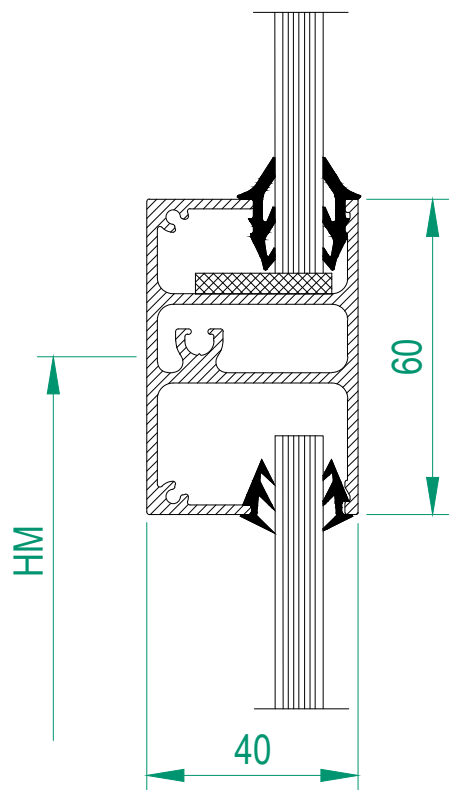
Sign:

Revolving door
ASSA ABLOY RD3 and ASSA ABLOY RD4 Frame
Section Midrail door
Section 15

ASSA ABLOY

3.0

1000944-EI



Customer:

Ref:

Door id:

Date:

Project No:

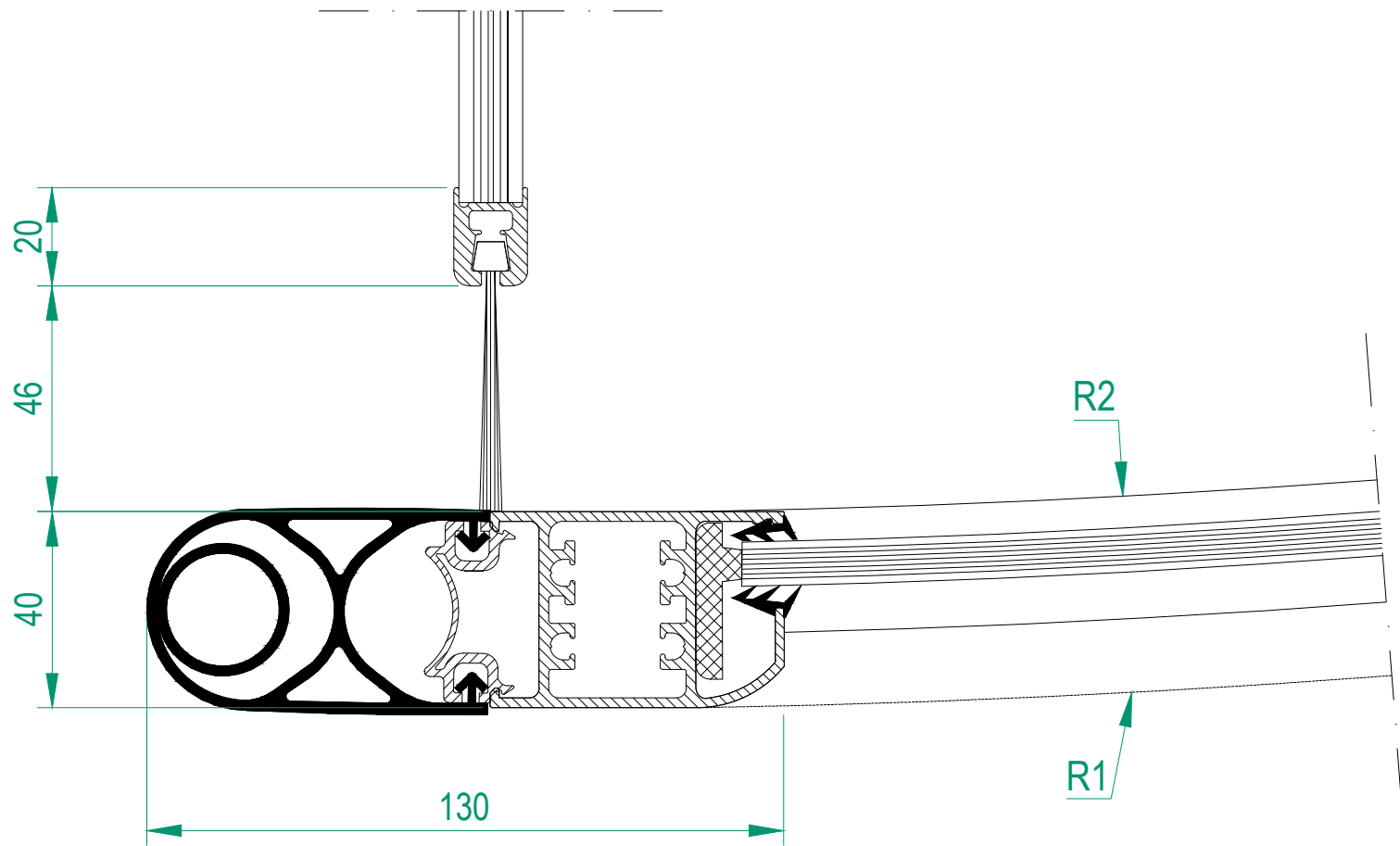
Sign:

Revolving door
ASSA ABLOY RD3 and ASSA ABLOY RD4 Frame
Section Midrail outer wall
Section 16

ASSA ABLOY

3.0

1000944-EI

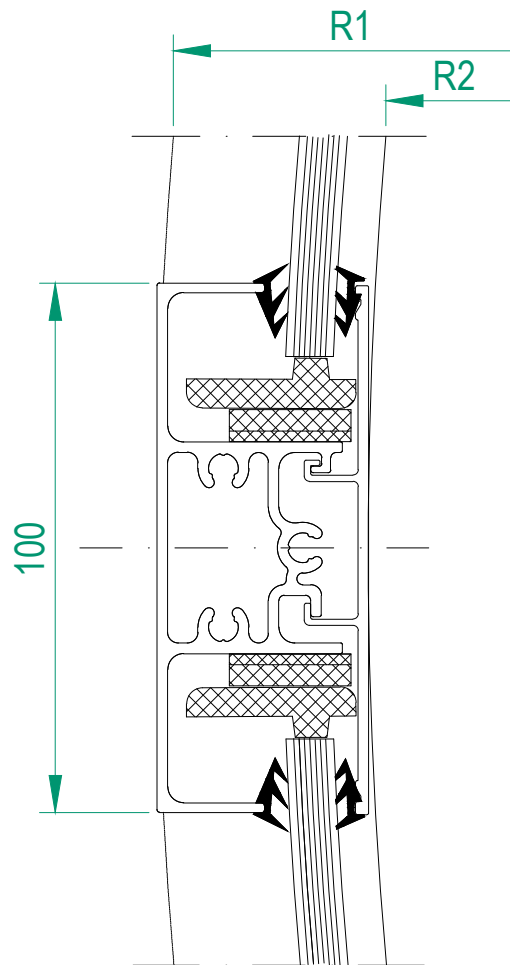


Customer:
Door id:
Project No:

Ref:
Date:
Sign:

Revolving door
ASSA ABLOY RD3 and ASSA ABLOY RD4 Slim
Section Door - wall
Section 17

ASSA ABLOY	
3.0	1000944-EI



Customer:

Ref:

Door id:

Date:

Project No:

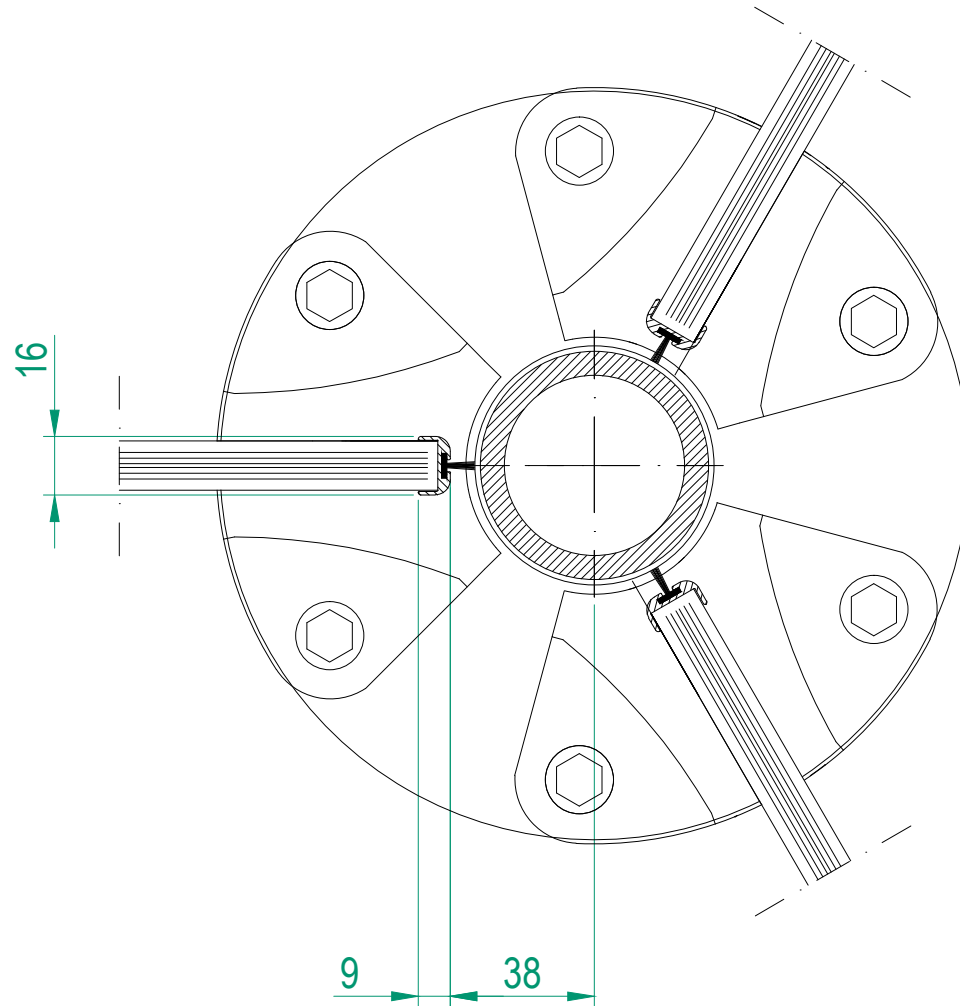
Sign:

Revolving door
ASSA ABLOY RD3 and ASSA ABLOY RD4 Slim
Section wall mullion
Section 18

ASSA ABLOY

3.0

1000944-EI



Note: RD4 is in next layer

Customer:

Ref:

Door id:

Date:

Project No:

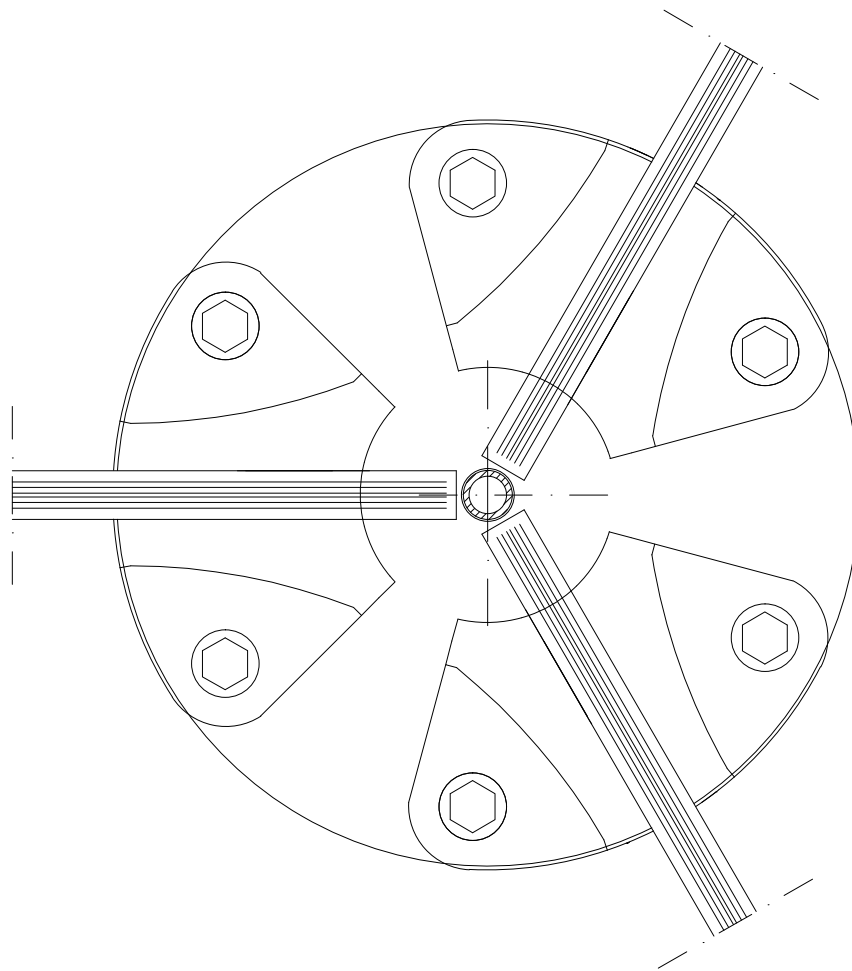
Sign:

Revolving door
ASSA ABLOY RD3 Slim
Section center shaft - door
Section 19

ASSA ABLOY

3.0

1000944-EI



Note: RD4 is in next layer

Customer:

Ref:

Door id:

Date:

Project No:

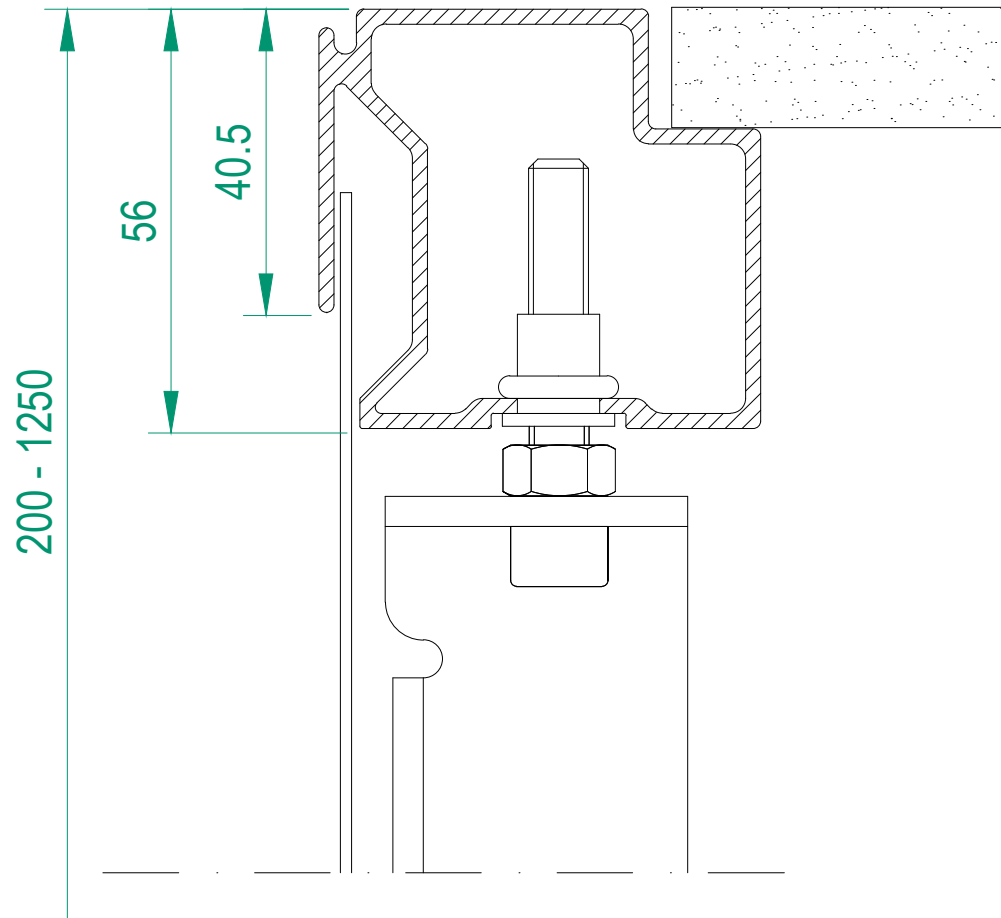
Sign:

Revolving door
ASSA ABLOY RD3 Slim centerless
Section center shaft - door
Section 20

ASSA ABLOY

3.0

1000944-EI



Customer:

Ref:

Door id:

Date:

Project No:

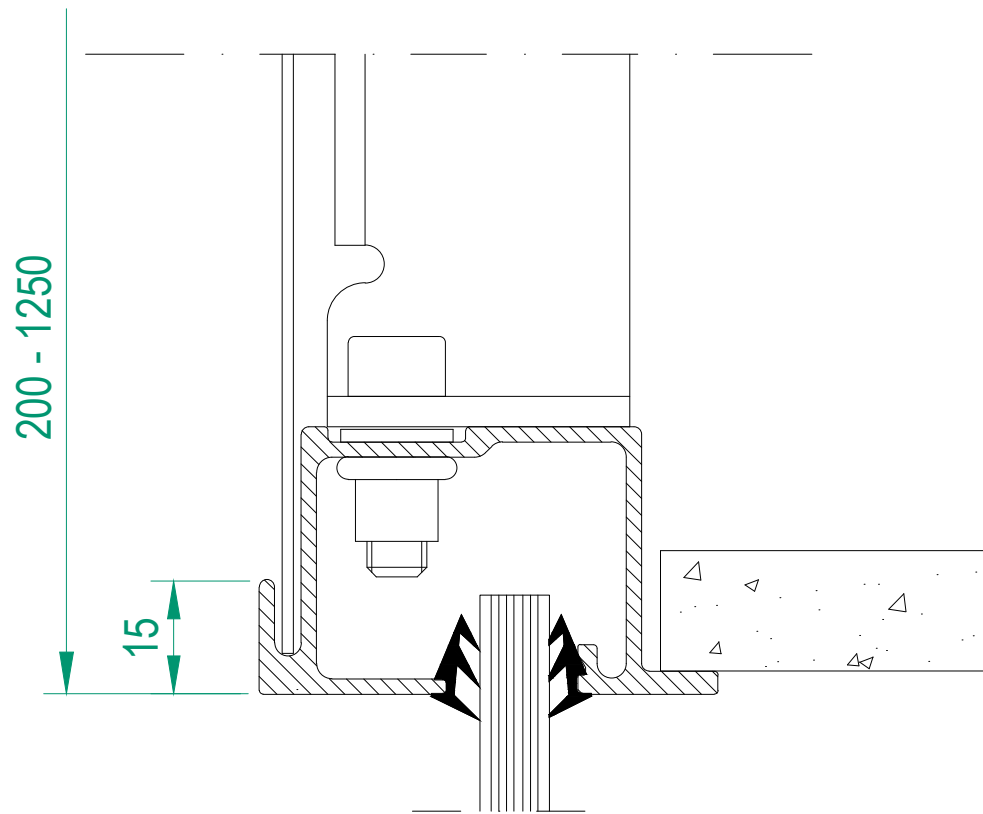
Sign:

Revolving door
ASSA ABLOY RD3 and ASSA ABLOY RD4 Slim
Section top of fascia
Section 21

ASSA ABLOY

3.0

1000944-EI



Customer:

Ref:

Door id:

Date:

Project No.:

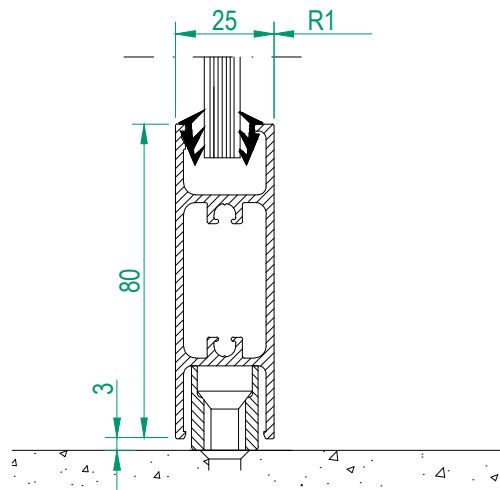
Sign:

Revolving door
ASSA ABLOY RD3 and ASSA ABLOY RD4 Slim
Section outer wall - fascia
Section 22

ASSA ABLOY

3.0

1000944-EI



Customer:

Ref:

Door id:

Date:

Project No.:

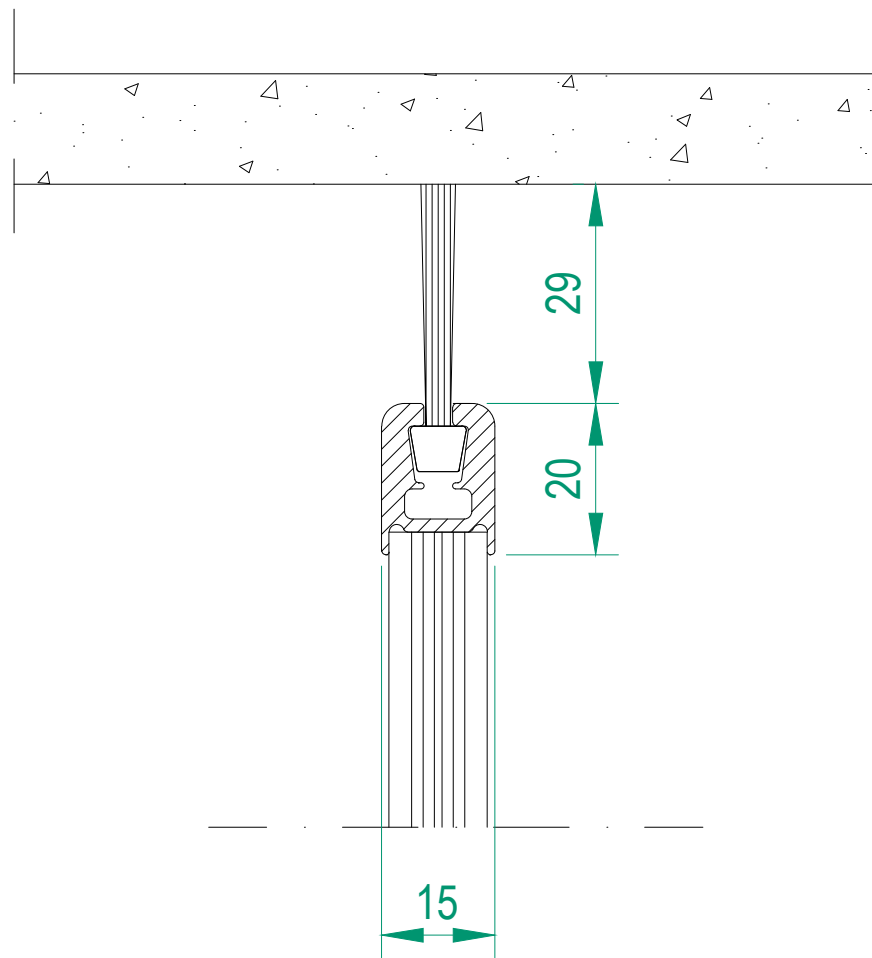
Sign:

Revolving door
ASSA ABLOY RD3 and ASSA ABLOY RD4 Slim
Section bottom - outer wall
Section 23

ASSA ABLOY

3.0

1000944-EI



Customer:

Ref:

Door id:

Date:

Project No:

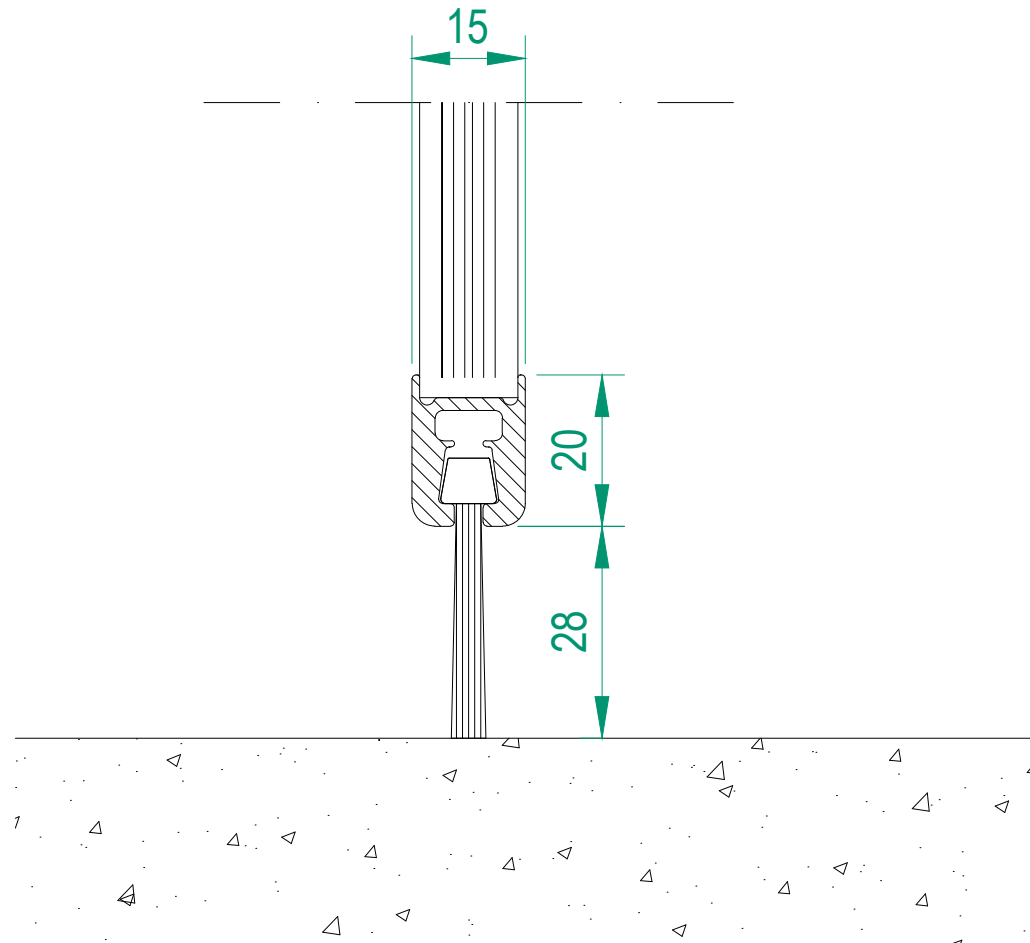
Sign:

Revolving door
ASSA ABLOY RD3 and ASSA ABLOY RD4 Slim
Section ceiling - door
Section 24

ASSA ABLOY

3.0

1000944-EI



Customer:

Ref:

Door id:

Date:

Project No.:

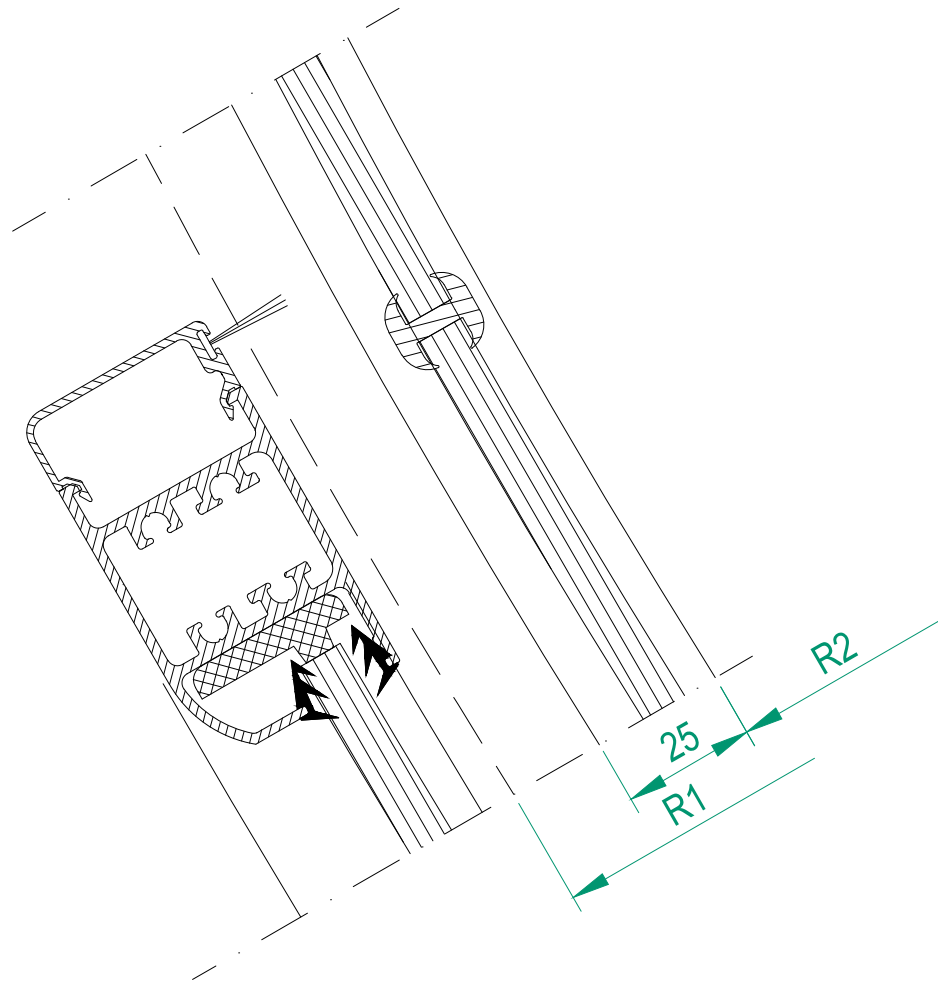
Sign:

Revolving door
ASSA ABLOY RD3 and ASSA ABLOY RD4 Slim
Section floor - door
Section 25

ASSA ABLOY

3.0

1000944-EI



Customer:

Ref:

Door id:

Date:

Project No.:

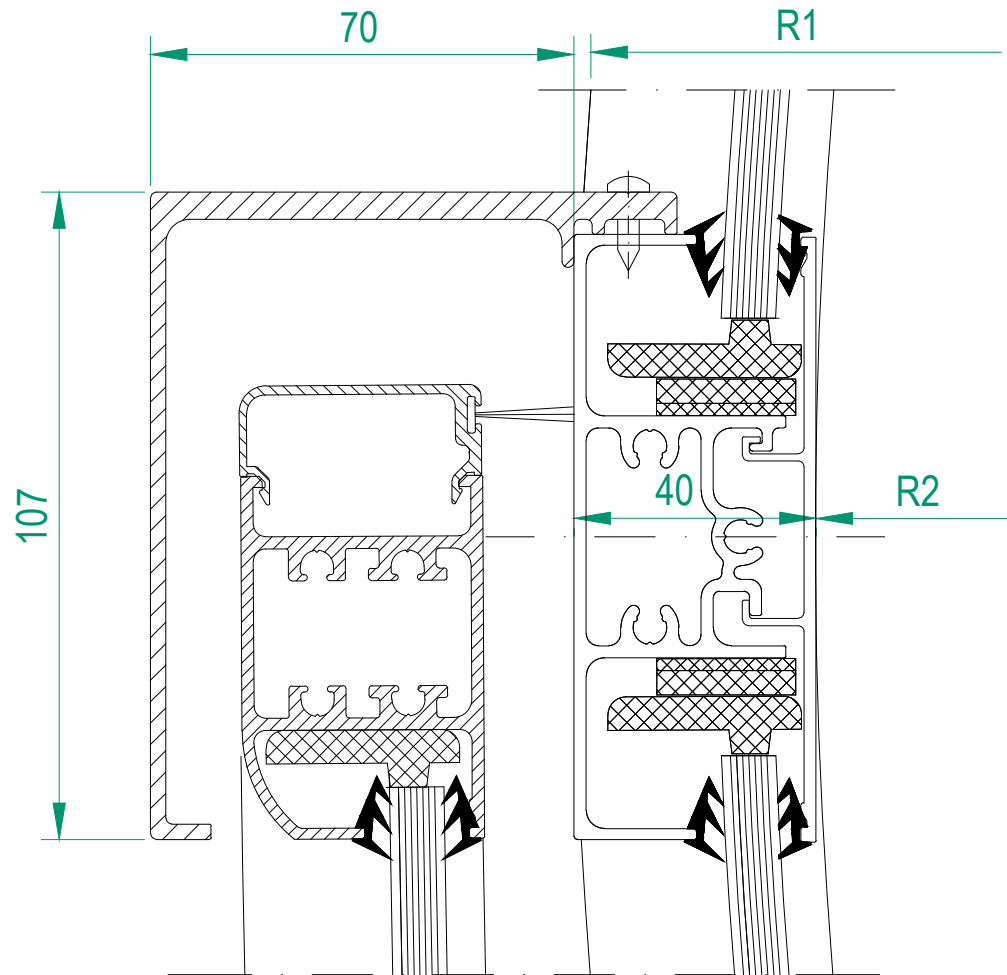
Sign:

Revolving door
ASSA ABLOY RD3-33/36 Slim wall - Frame door leaf NCD
Section NCD - mullion
Section 26

ASSA ABLOY

3.0

1000944-EI



Customer:

Ref:

Door id:

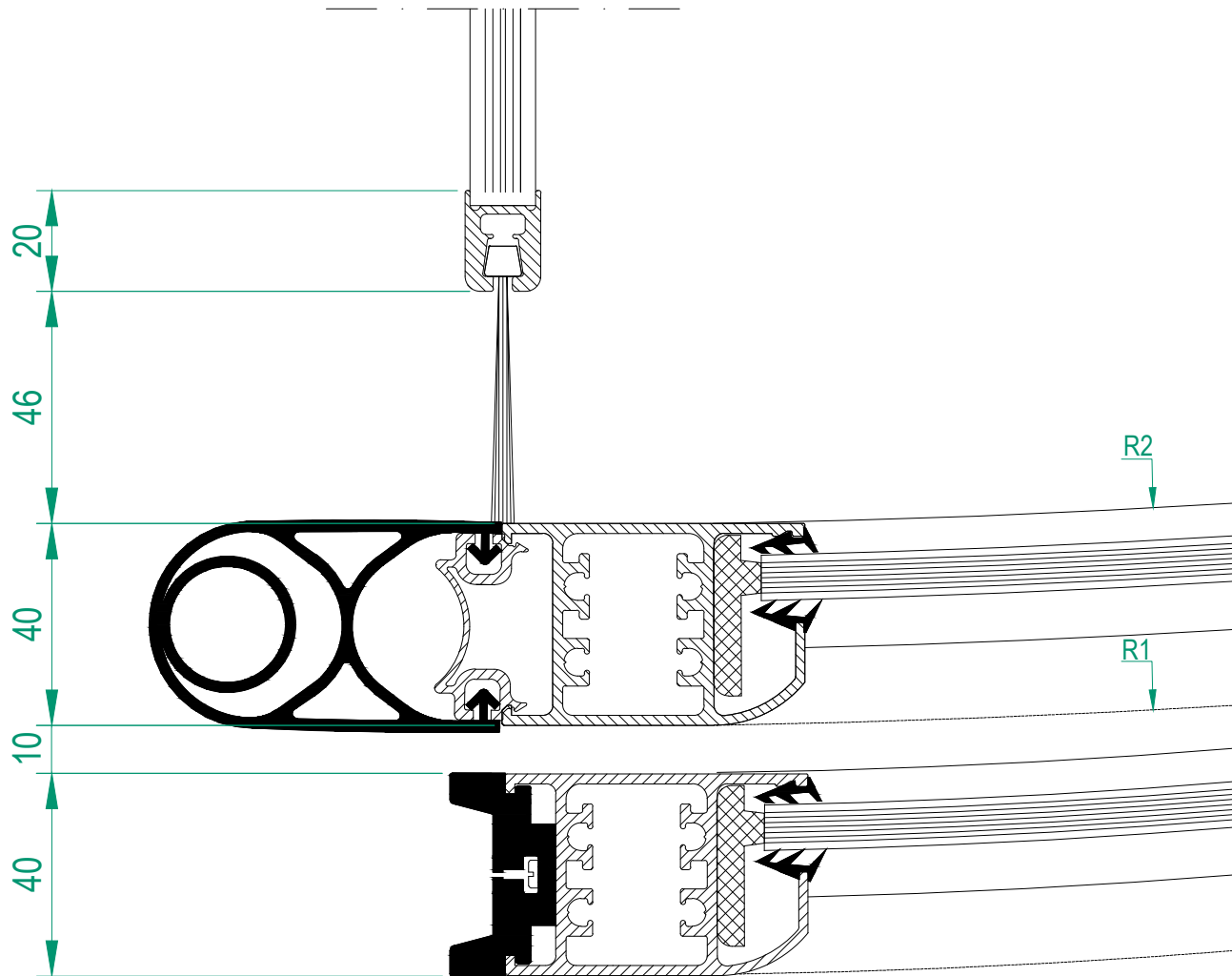
Date:

Project No.:

Sign:

Revolving door
ASSA ABLOY RD4 Slim NCD
Section NCD slam post
Section 27

ASSA ABLOY
3.0 1000944-EI

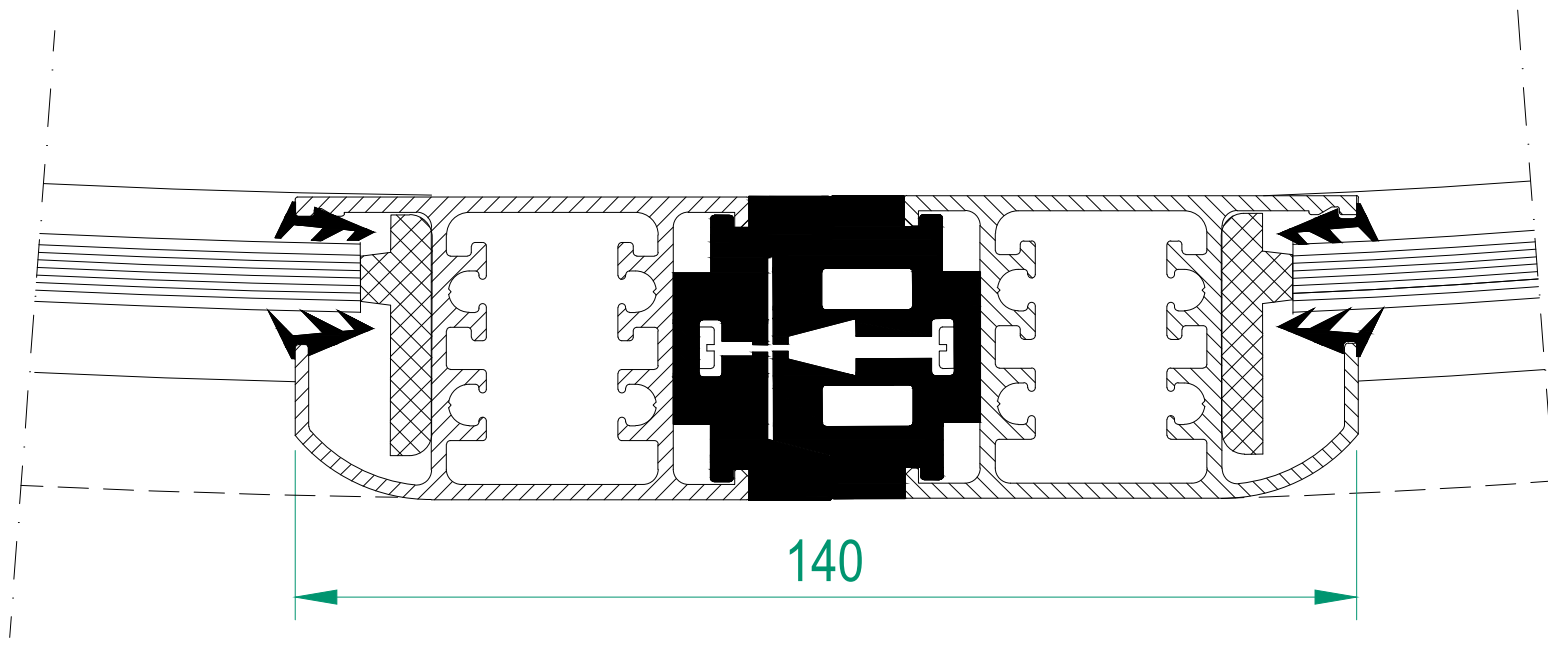


Customer:	Ref:
Door id:	Date:
Project No.:	Sign:

Revolving door
 ASSA ABLOY RD3 and ASSA ABLOY RD4 Slim NCD
 Section NCD door - wall
 Section 28

ASSA ABLOY

3.0 1000944-EI

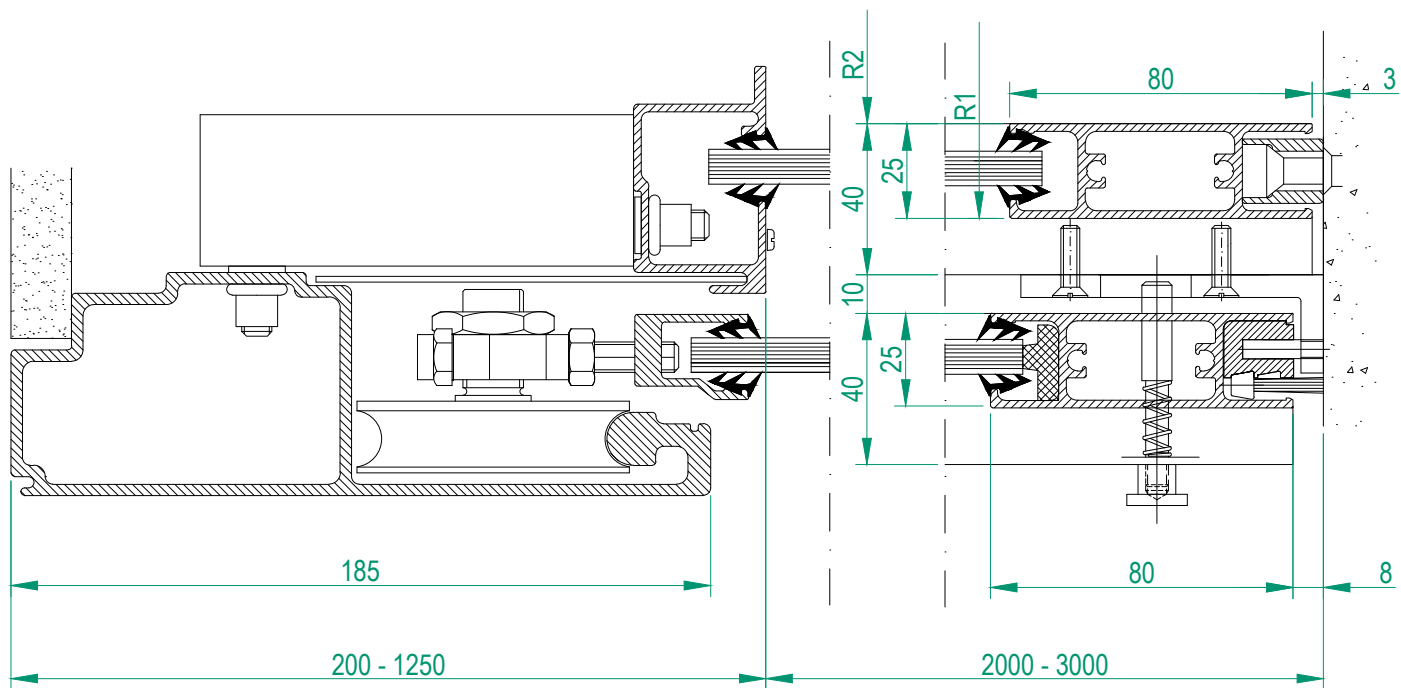


Customer:
Door id:
Project No:

Ref:
Date:
Sign:

Revolving door
ASSA ABLOY RD3 and ASSA ABLOY RD4 Slim NCD
Section NCD-NCD
Section 29

ASSA ABLOY
3.0
1000944-EI



Customer:	Ref:
Door id:	Date:
Project No.:	Sign:

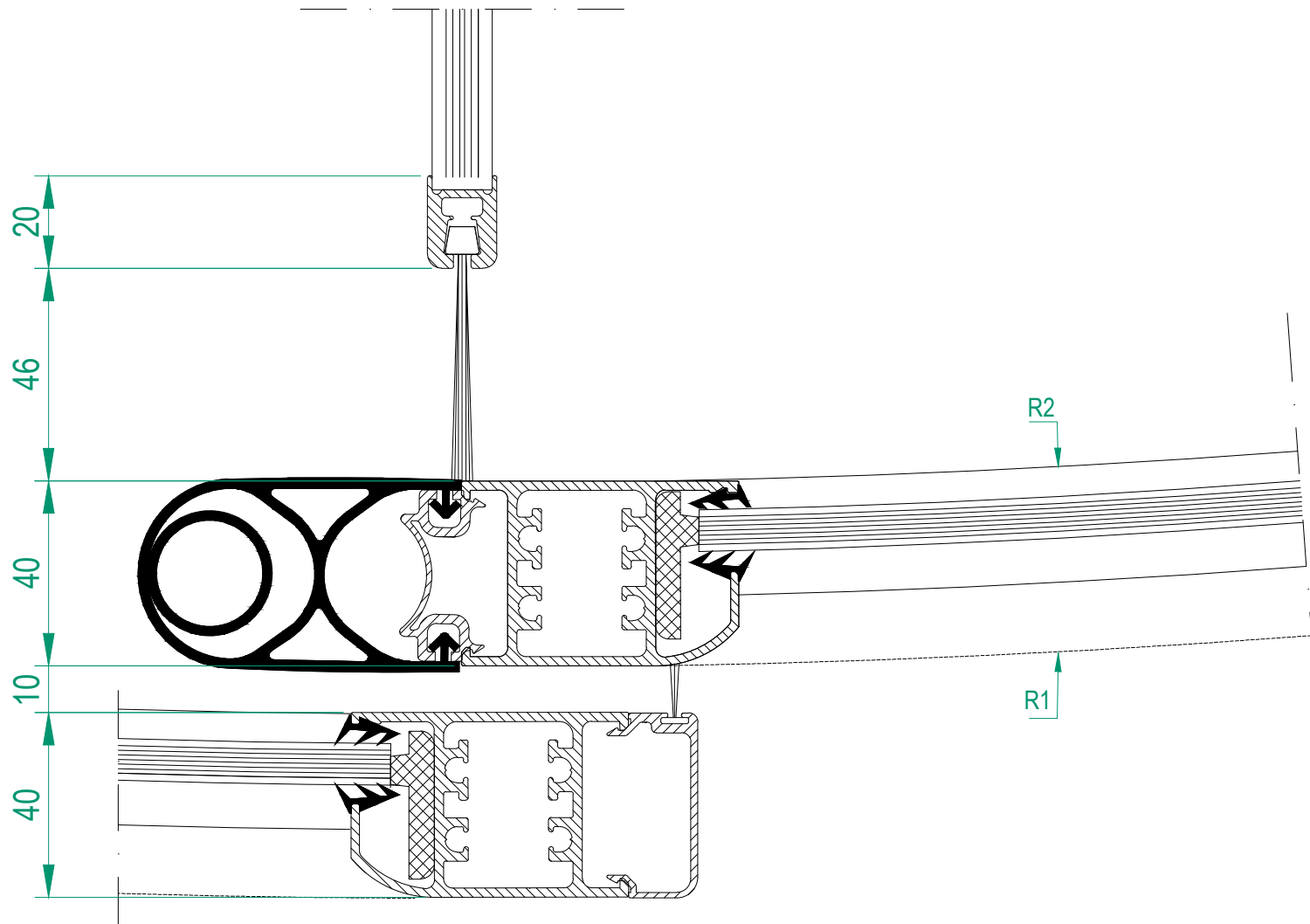
Ref:
Date:
Sign:

Revolving door
ASSA ABLOY RD3 and ASSA ABLOY RD4 Slim NCD
Section NCD standard fascia
Section 30

ASSA ABLOY

3.0

1000944-EI

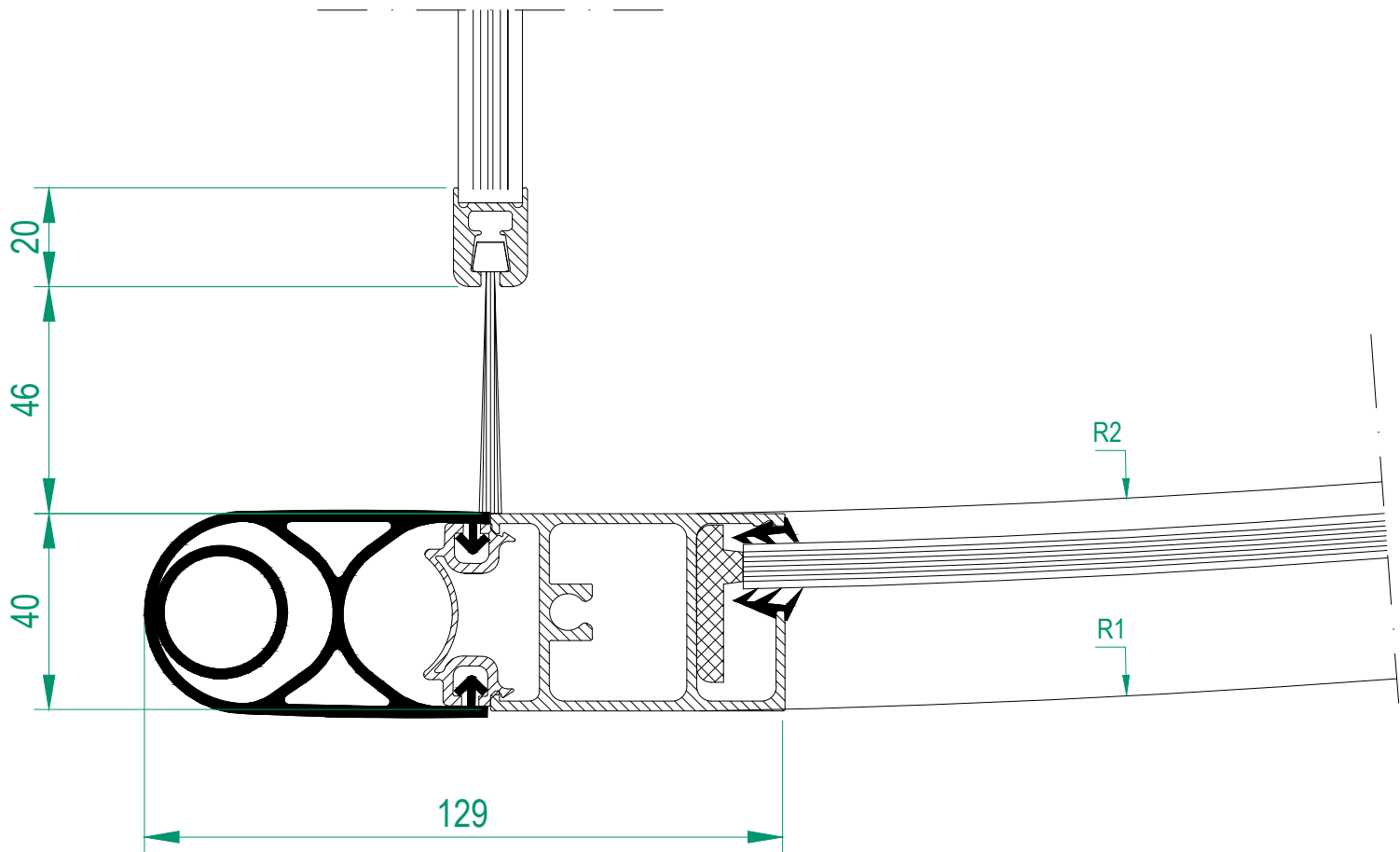


Customer:	Ref:
Door id:	Date:
Project No.:	Sign:

Ref:
Date:
Sign:

Revolving door
ASSA ABLOY RD3 and ASSA ABLOY RD4 Slim NCD
Section NCD door - wall
Section 31

ASSA ABLOY
3.0 1000944-EI



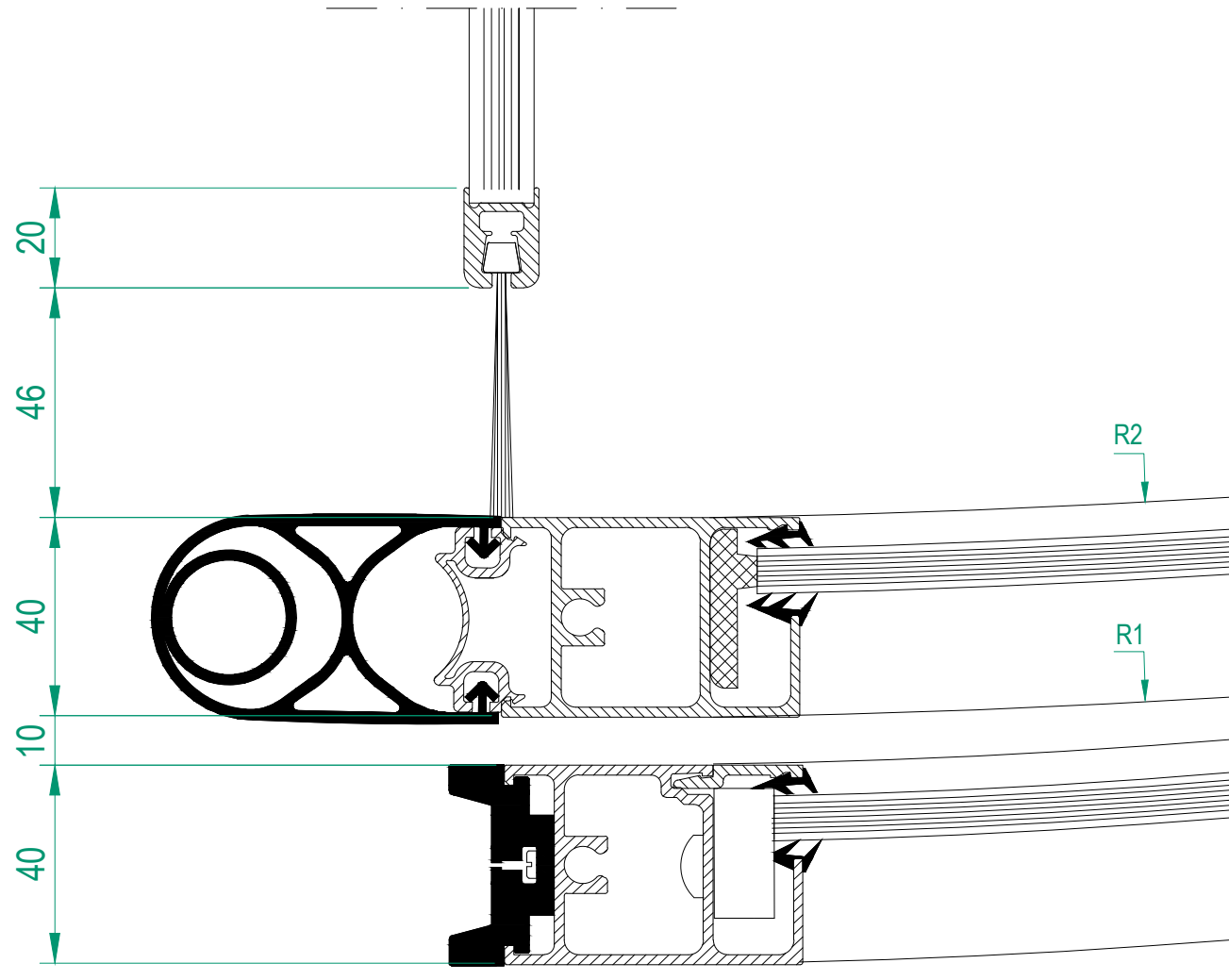
Customer:	Ref:
Door id:	Date:
Project No.:	Sign:

Ref:
Date:
Sign:

Revolving door
 ASSA ABLOY RD3 and ASSA ABLOY RD4
 Frame wall - Slim door leaf
 Section door - wall
 Section 32

ASSA ABLOY

3.0 1000944-EI

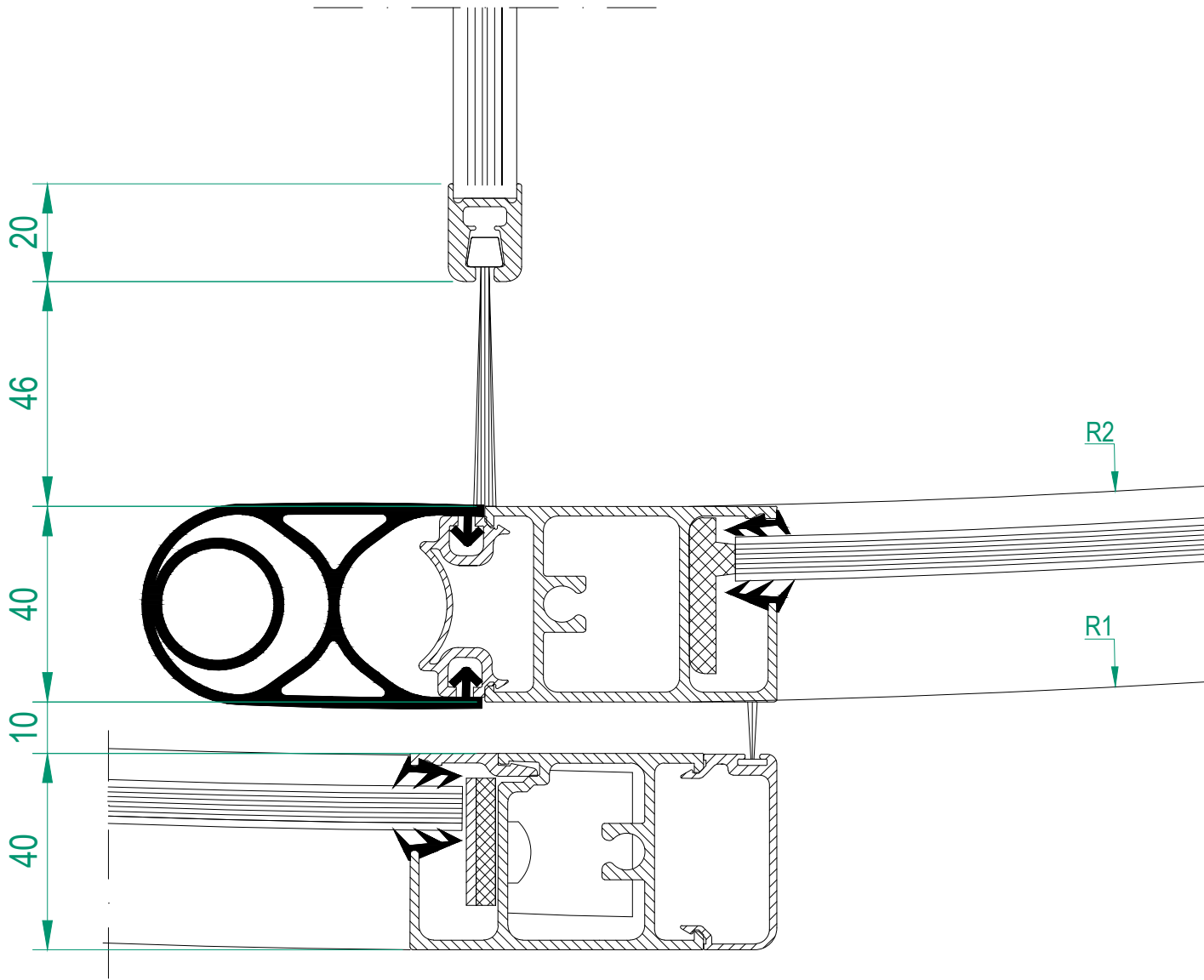


Customer:	Ref:
Door id:	Date:
Project No.:	Sign:

Revolving door
ASSA ABLOY RD3 and ASSA ABLOY RD4
Frame wall - Slim door leaf NCD
Section door - wall
Section 33

ASSA ABLOY

3.0 1000944-EI



© ASSA ABLOY Entrance Systems AB, 2017
 Technical data subject to change without notice.

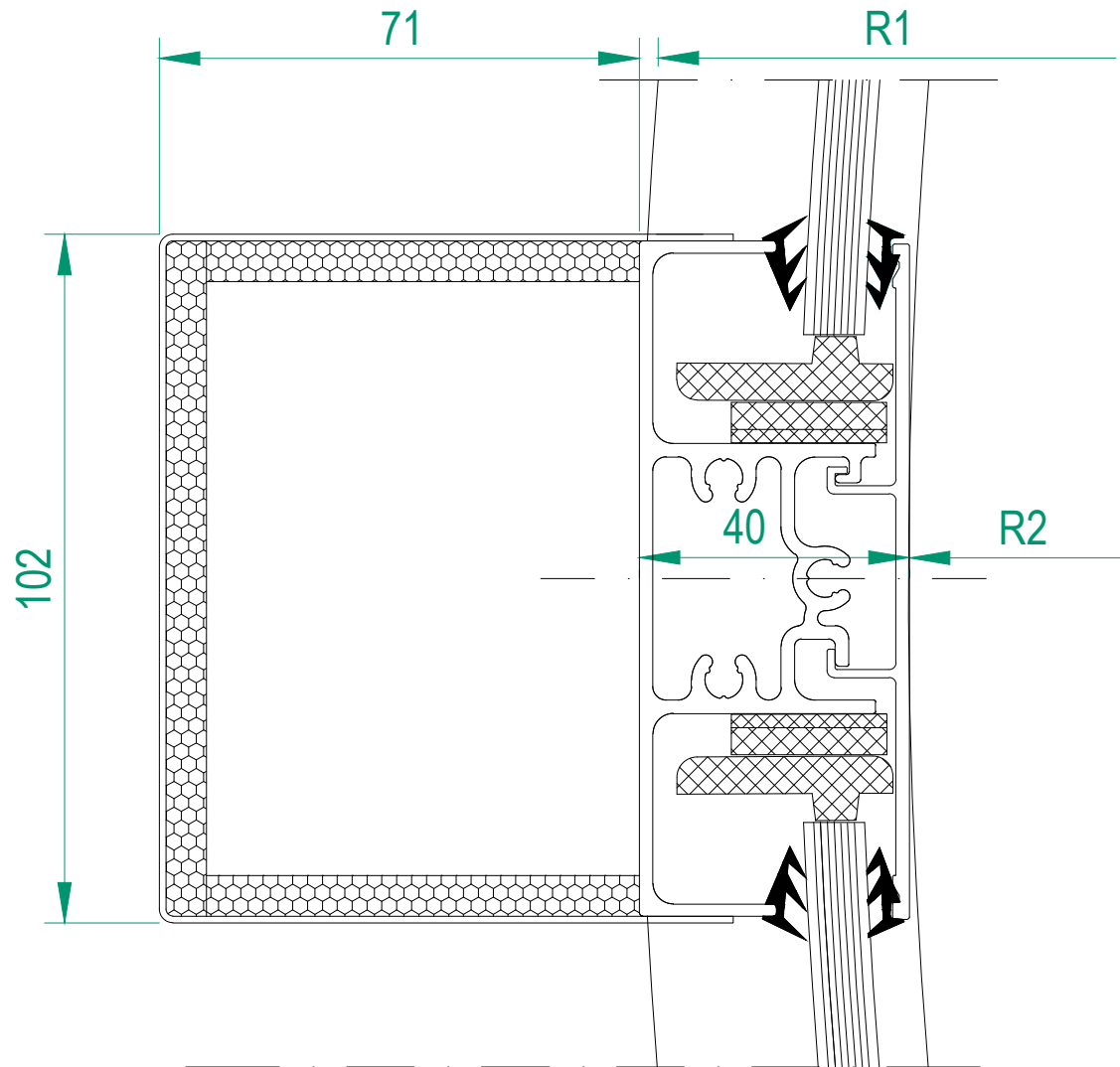
Customer:	Ref:
Door id:	Date:
Project No.:	Sign:

Ref:
Date:
Sign:

Revolving door
 ASSA ABLOY RD3 and ASSA ABLOY RD4
 Frame wall - Slim door leaf NCD
 Section door - wall
 Section 34

ASSA ABLOY

3.0 1000944-EI



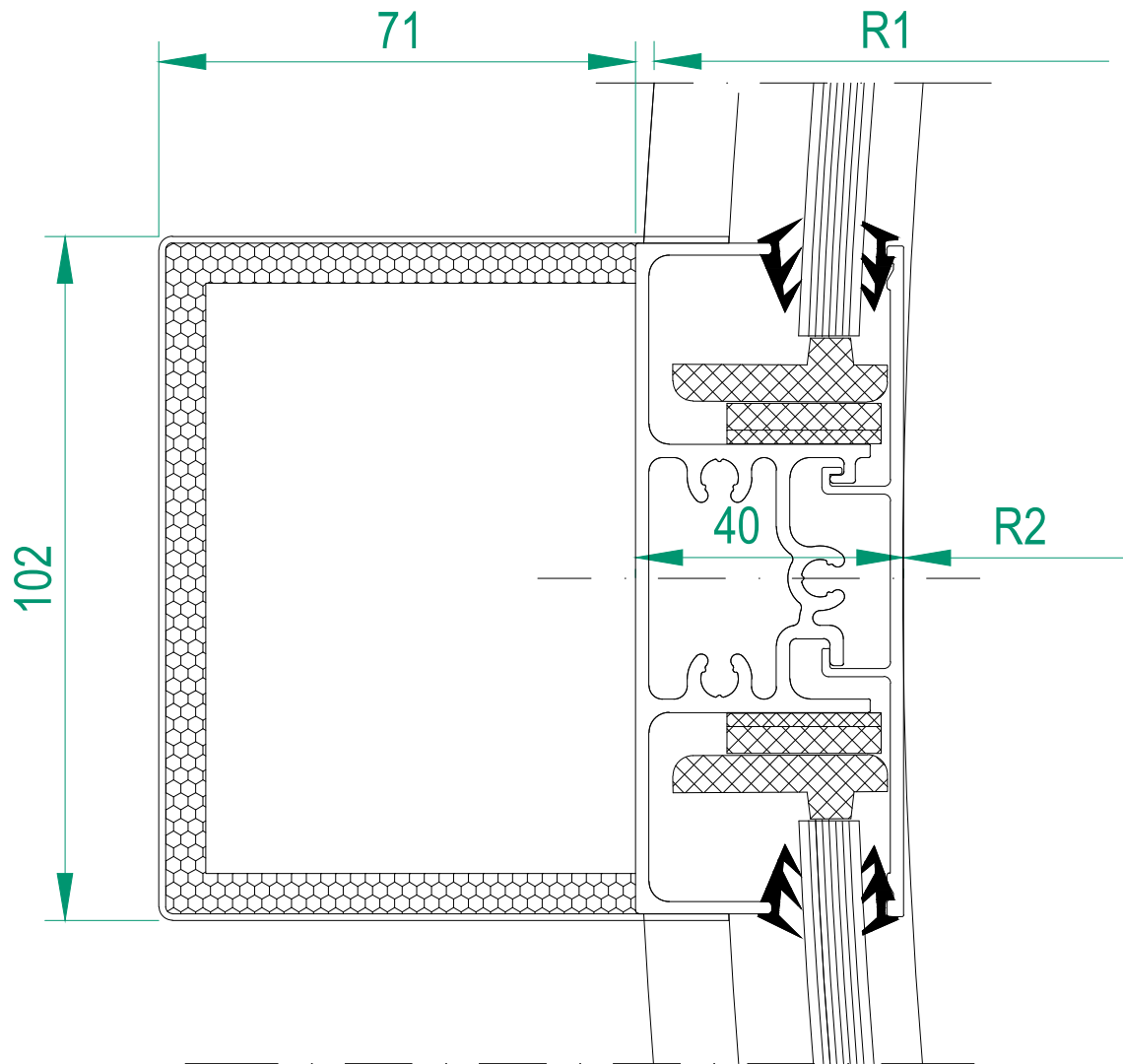
Customer:
Door id:
Project No.:

Ref:
Date:
Sign:

Revolving door
ASSA ABLOY RD3 Frame NCD
Section NCD slam post
Section 35

ASSA ABLOY

3.0 1000944-EI



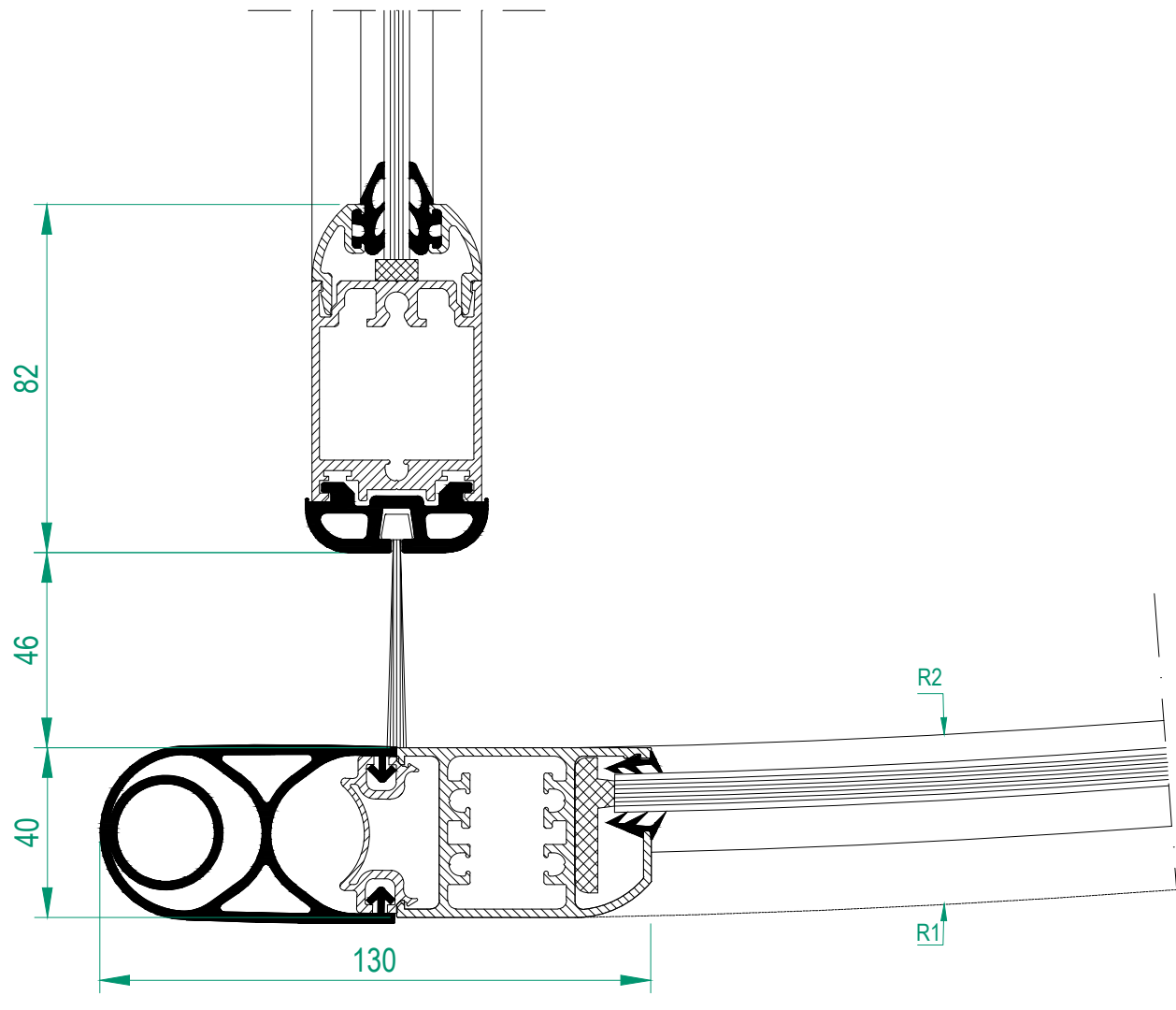
© ASSA ABLOY Entrance Systems AB, 2017
 Technical data subject to change without notice.

Customer:	Ref:
Door id:	Date:
Project No.:	Sign:

Revolving door
 ASSA ABLOY RD3 Slim NCD
 Section NCD slam post
 Section 36

ASSA ABLOY

3.0 1000944-EI

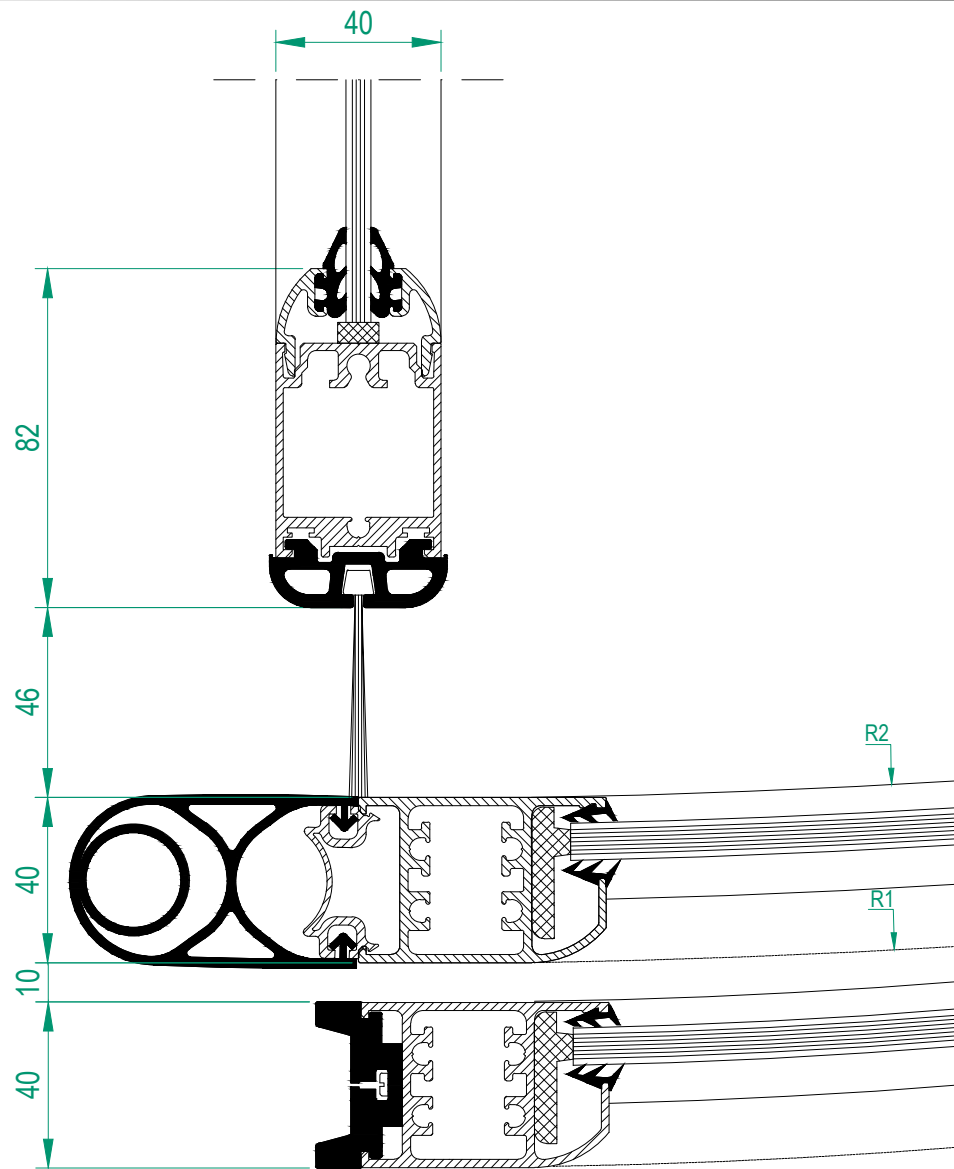


Customer:	Ref:
Door id:	Date:
Project No.:	Sign:

Revolving door
ASSA ABLOY RD3 and ASSA ABLOY RD4
Slim wall - Frame door leaf
Section door - wall
Section 37

ASSA ABLOY

3.0 1000944-EI



Customer:

Ref:

Door id:

Date:

Project No:

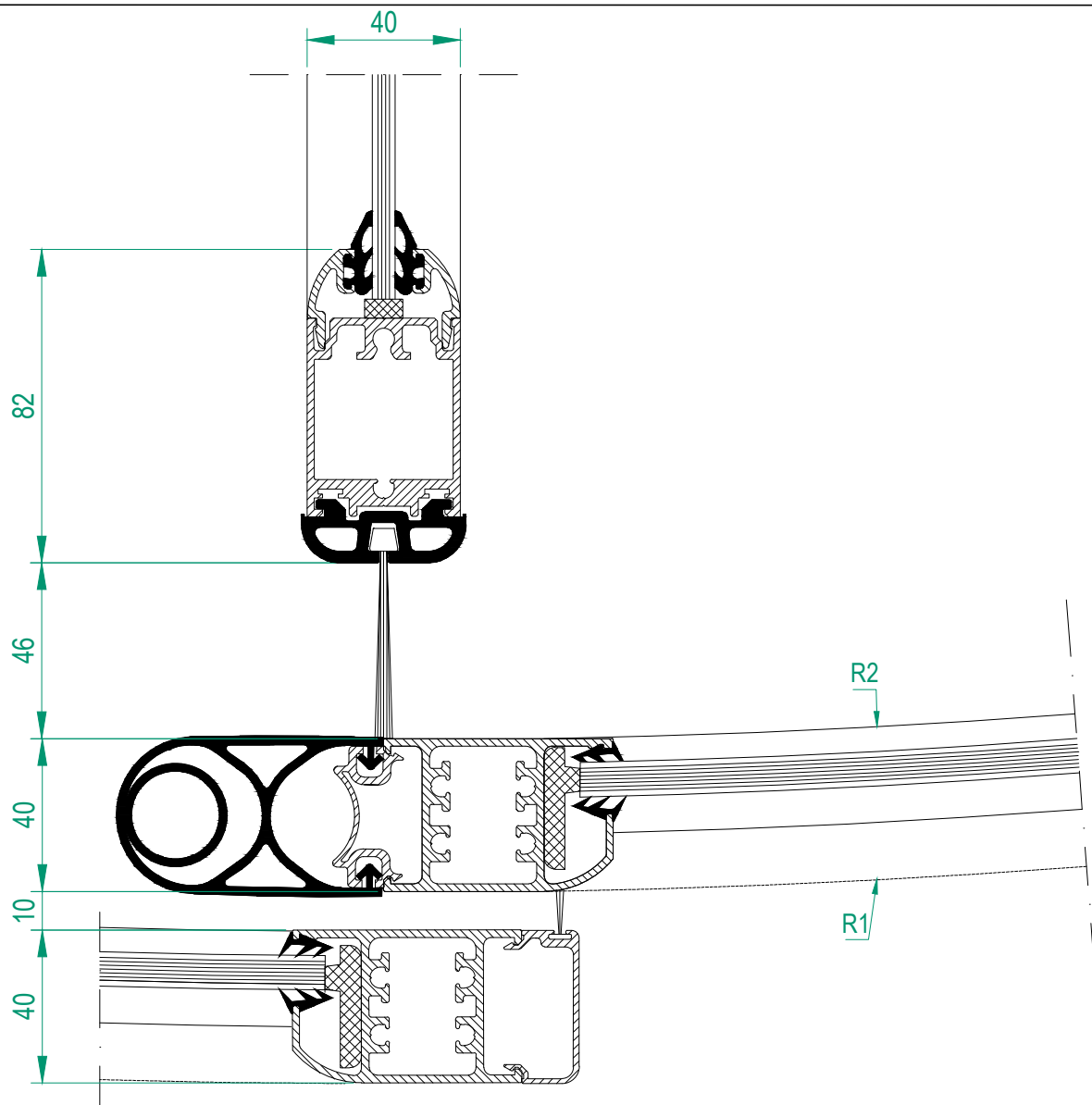
Sign:

Revolving door
ASSA ABLOY RD3 and ASSA ABLOY RD4
Slim wall - Frame door leaf NCD
Section door - wall
Section 38

ASSA ABLOY

3.0

1000944-EI



Customer:

Ref:

Door id:

Date:

Project No.:

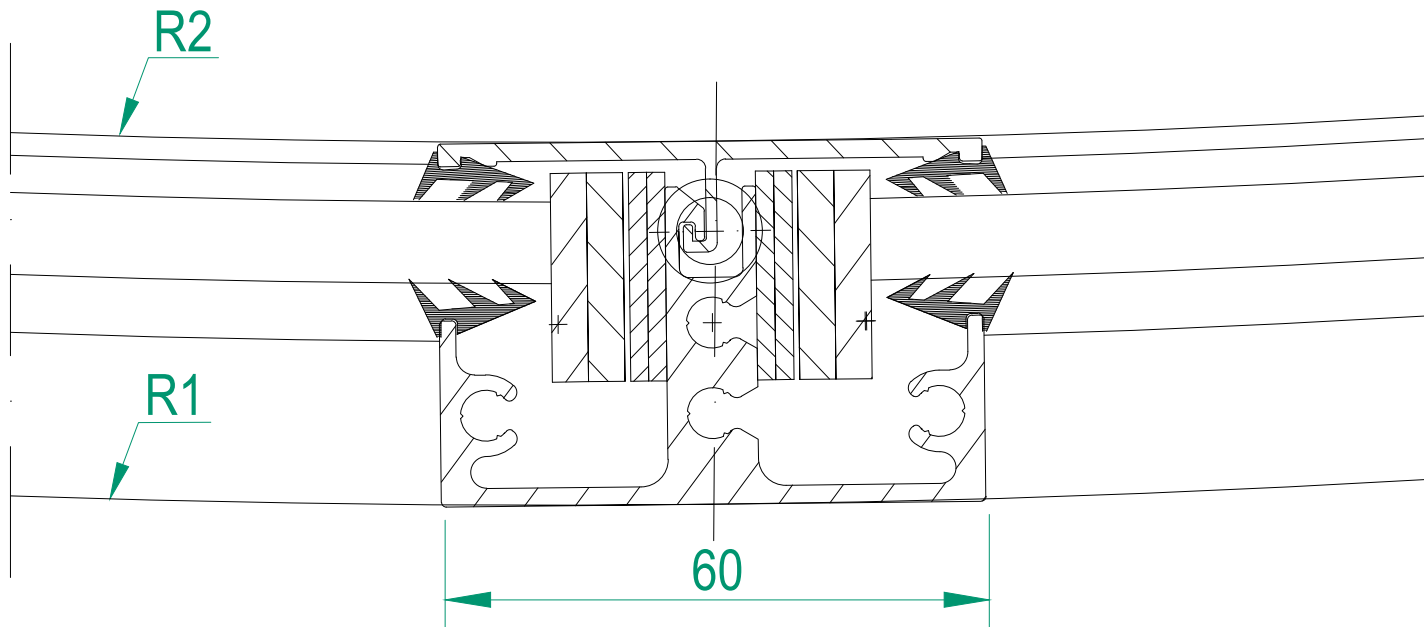
Sign:

Revolving door
ASSA ABLOY RD3 and ASSA ABLOY RD4
Slim wall - Frame door leaf NCD
Section door - wall
Section 39

ASSA ABLOY

3.0

1000944-EI



Customer:	Ref:
Door id:	Date:
Project No.:	Sign:

Ref:
Date:
Sign:

Revolving door
 ASSA ABLOY RD3 and ASSA ABLOY RD4-33/36 Frame NCD
 Section wall mullion
 Section 40

ASSA ABLOY

3.0 1000944-EI