

Sliding Door Operator

ASSA ABLOY SL521

ASSA ABLOY
Entrance Systems

Experience a safer
and more open world



ASSA ABLOY SL521 telescopic sliding door operator.
Maximum opening. Reliable and safe. Never compromise.

Limited spaces and heavy applications require smart engineering

You may think your premises are too small or your doors too heavy to support an automatic sliding door solution, but, nevertheless, you are still required to provide access for everyone and everything – like pedestrians, wheelchair users and trolleys.

Crafted from the highest-quality materials and backed by more than 50 years' of proven experience, the SL521 is a sophisticated and stylish telescopic sliding door operator which can be customized to suit every environment. No matter if space is limited or if your entrance requires heavy doors or a large glass facade.

A high level of customization

Whatever your business, and whatever the layout of your exterior and/or interior passageways, the SL521 can be tailored to meet your exact needs. For added flexibility, the operator can be used to program door opening and closing speed as well as set how long doors should stay open.

Available for single, two-leaf doors and bi-parting, four-leaf doors, the SL521 comes with all the advantages associated with automatic sliding door systems. Giving you a convenient and durable entrance solution that will deliver a sustainable, high-quality performance for years to come.

Always safe and secure

At ASSA ABLOY, we're here to help make your entrance systems as safe as possible. From state-of-the-art sensors designed to immediately open doors when a person or obstacle is detected, to innovative breakout technology that will force doors and sidescreens to swing outwards in case of emergency, our solutions have security at their core.

To further ensure your operations run smoothly, our expert technicians are ready to help solve any issues or offer advise on how to optimize your business. Take a look at our range of personalized service and maintenance packages and we'll take care of the rest.





Long-term reliability

The SL521 places just as much focus on comfort and convenience as it does on accuracy, reliability and safety. Available in a range of sizes and finishes, our low-noise solution is designed to bring a touch of charm to any entrance, big or small – in addition to meeting every necessary health and safety standard.

Sustainable every step of the way

The SL521 places great importance on sustainability, with relevant add-ons that include

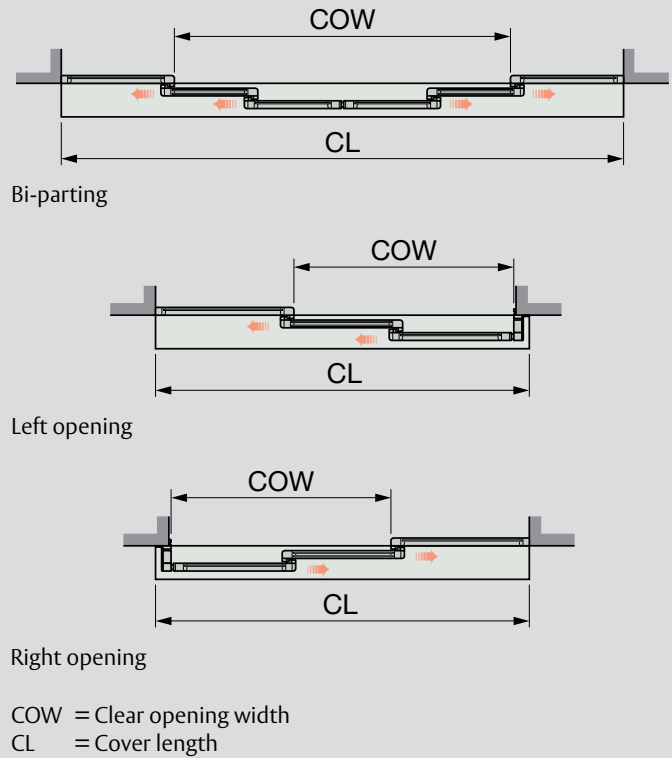
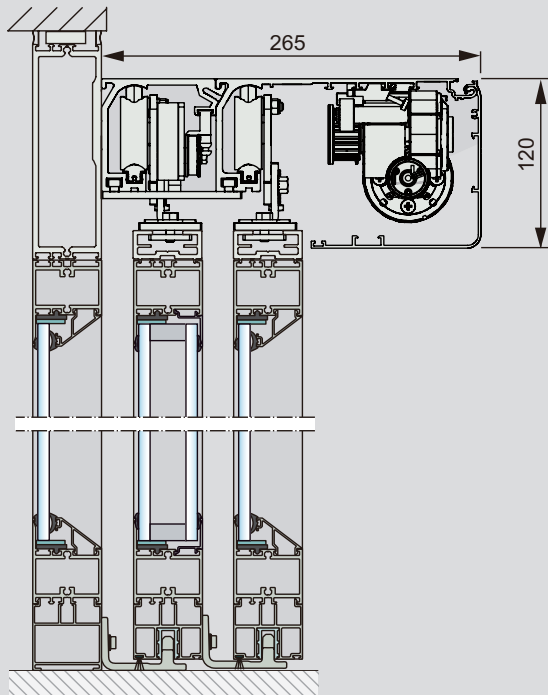
ASSA ABLOY TightSeal, drive mode technology to help you determine how wide door(s) can open, and more. For an entrance solution that will always live up to expectations while supporting your environmental efforts.

Models

ASSA ABLOY SL521-2 - Four leaves, bi-parting, with or without break-out

ASSA ABLOY SL521-R/L - Two leaves, single-slide, right or left-opening, with or without break-out





Technical specifications

Operator dimensions	120 mm x 265 mm (height x depth)
Power supply	100-240 VAC ±10% 50/60 Hz
Rated power	150 W
Recommended maximum door weight (without break-out)	
ASSA ABLOY SL521-2	150 kg/leaf
ASSA ABLOY SL521-R/L	150 kg/leaf
Single slide in escape route to be compliant with DIN 18650: Door leaf weight up to 150 kg for COW 1800 mm or less. Contact local sales representative for other dimensions.	
For low energy movement	75 kg/leaf
Clear opening width (COW)	
ASSA ABLOY SL521-2	1875 – 4000 mm
ASSA ABLOY SL521-L (dual drive)	1090 – 4000 mm
ASSA ABLOY SL521-L: (HD)	950 – 4000 mm
ASSA ABLOY SL521-R: (Dual drive and HD)	1250 – 4000 mm
Contact local sales representative for other dimensions.	
Open and closing speed variable	up to 1.2 m/s (bi-parting)
Hold-open time	0 – 60 s
Ambient temperature	-20°C to +50°C
Relative humidity (non-condensing)	max. 85%

Accessories and options

Cover: Other anodizing options or painted in RAL colours
Door adaptor for doors up to 65 mm thick from other suppliers
Traffic-controlled opening width
Synchronizing of two operators
Operation mode selectors
Electronic emergency opening or closing unit
Break-out door
Emergency button
ASSA ABLOY motion and presence sensors
Electrical locking devices
Interlocking between operators
Key switch
ASSA ABLOY automatic door systems
Escape route according to CO48 (France). In event of a power failure, the door can be opened with the built-in elastic cord.

Standard equipment

Cover: clear anodized aluminium
Support beam with transmission
Electronic control unit with plug-in connections and power supply



© ASSA ABLOY Entrance Systems AB - S1521/ORG.en-3-0/2303 - 1020350 technical data subject to change without notice.

This equipment should be installed, regularly inspected, maintained and serviced by trained and authorized personnel. Preventive maintenance plans are highly recommended for a proper and safe operation. Talk to your ASSA ABLOY Entrance Systems representative to learn more about our service offering!